

# M10CDLA Series

## 10" Commercial Grade Recessed Downlight with Wattage and 3CCT Selector

Project Name:	Order Number:	Prepare by:	Note:	Date:	Type:

### COMMERCIAL DOWNLIGHT

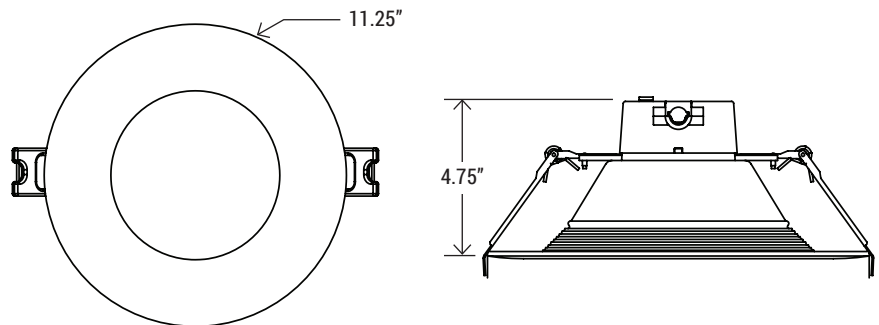
The **M10CDLA35W** downlight fixture is an all-in-one solution for your commercial recessed applications. The color temperature can be switched from 3000K soft white, 4000K cool white to 5000K daylight and the lumen can be adjusted to 3 different levels. Also, the canless design reduce the required of clearance for the installation. The M10CDLA35W downlight is Energy Star® and UL certified.

Perfect use for shopping center, business building, hotel, airport, hospital and other commercial buildings.



- Select color temperature from
- 3000K **SOFT WHITE**
  - 4000K **COOL WHITE**
  - 5000K **DAYLIGHT**

#### DIMENSION



Energy Star® and ETL certified. It can be used to comply with Title-24 and JA8 high efficacy light source requirements.

#### TECHNICAL SUMMARY

MODEL #	LUMENS	WATTS	EFFICACY	CRI	VOLTAGE	BEAM °	CCT	PF	LIFE	OPERATING TEMP.
<b>M10CDLA35W-3CCT</b>	2300/ 3000/ 3700	22W/ 28W/ 35W	105 lm/W	80	120V- 277V, 60 Hz	110°	3000K/ 4000K/ 5000K	>0.9	50,000 hrs	-5°F ~ 104°F

#### PART NUMBER ORDERING SUMMARY

# M 10 CDLA 35W - 3CCT



# M10CDLA Series



## 10" Commercial Grade Recessed Downlight with Wattage and 3CCT Selector

Project Name:	Order Number:	Prepare by:	Note:	Date:	Type:

### CONSTRUCTION

Unit includes die-cast metal housing, LED array, heat sink, lens, foam gasket, baffle trim ring, safety cable with hook and junction box.

### OPTICS

- High quality PC lens
- Efficiency LED array
- Diffuse for uniform illumination
- Baffle trim reduces glare for soft, comfortable illumination

### DRIVER

- 120V-277V 60Hz universal input voltage
- 0-10V smooth flicker free dimming to 5%

### MOUNTING

- Canless design, no can housing needed for the installation
- Pre-installed torsion spring clips
- Unit comes with wiring nuts, no electrical tap and special tools required for the installation

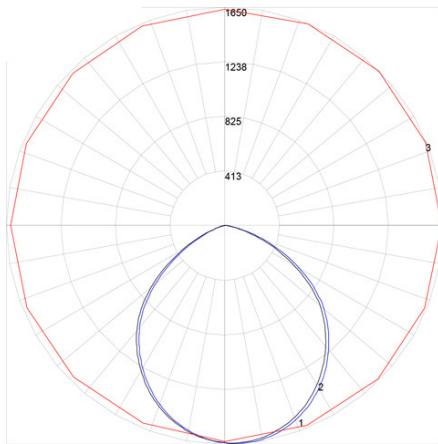
### LISTING

ETL Listed, Energy Star Listed, Suitable for Wet Locations, Title 24 JA8-2022, RoHS, Air-Tite Certified

### WARRANTY

5 years manufacturer warranty, consult factory for more details. Terms and conditions may apply.

### PHOTOMETRY



Maximum Candela = 1650.4 Located At Horizontal Angle = 45, Vertical Angle = 5  
# 1 - Vertical Plane Through Horizontal Angles (45 - 225) (Through Max. Cd.)  
# 2 - Vertical Plane Through Horizontal Angles (0 - 180)  
# 3 - Horizontal Cone Through Vertical Angle (5) (Through Max. Cd.)

### RECOMMENDED DIMMERS

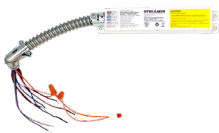
#### LUTRON

- TGCL-153PH-WH
- DVCL-153PR
- P-PKG1W-WH-R
- CTCL-153PDH-WH

#### LEVITON

- R00-RNL06-TW
- R50-IPL06-10M

### COMPATIBLE PRODUCTS (SOLD SEPARATELY)



#### MHV-8W-EM

Emergency Driver and Battery Back-up



#### MHV-25W-EM

High Output Voltage Emergency Driver and Battery Back-up