

MFR4 Series

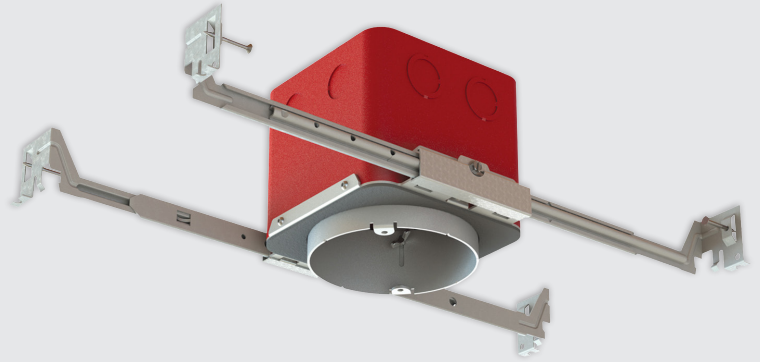
4" Fire Resist Electrical Outlet Box

Project Name:	Order Number:	Prepare by:	Note:	Date:	Type:

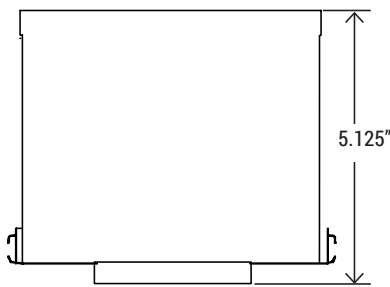
FIRE BOX OUTLET

The **MFR4** Lighting fire resistant electric outlet box combines fire resistant junction box to the 4" recessed housing can. It fits most of the standard 4" downlight retrofit kits on the market without any modifications. With this new design, you don't need to install the fire resistant junction box and recessed housing can separately, helps you to save cost and time for your commercial projects

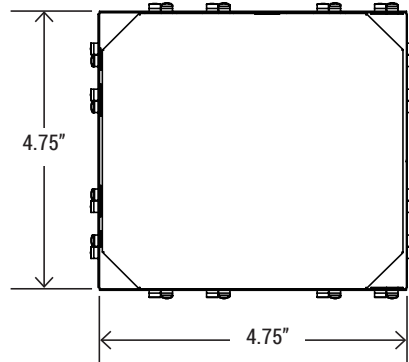
Perfect use for shopping center, business building, hotel, airport, hospital and other commercial buildings.



DIMENSION



(Bar hanger extend up to 14.75")

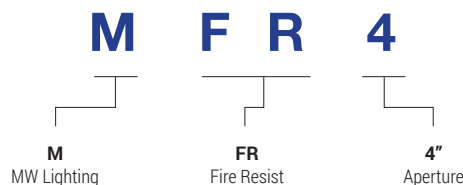


Dimension/Weight	With Bar hanger
WIDTH	6.5"
LENGTH	14.75"
WEIGHT	3.16 lbs

Note: Referring to BXUV.Guideinfo for Fire-resistance Ratings - ANSI/UL 263, section III.6

Metallic outlet boxes with metallic or nonmetallic cover plates may be used in floor-ceiling and roof-ceiling assemblies with ratings not exceeding 2 hours. These assemblies should have gypsum board membranes. The metallic outlet boxes should be securely fastened to the joists and the opening in the gypsum board facing should be cut so that the clearance between the box and the gypsum board does not exceed 1/8 in. The surface area of individual boxes should not exceed 16 sq. in. The aggregate surface area of the boxes should not exceed 100 sq. in. per 100 sq. ft of ceiling surface.

PART NUMBER ORDERING SUMMARY



MFR4 Series

4" Fire Resist Electrical Outlet Box

Project Name:	Order Number:	Prepare by:	Note:	Date:	Type:

KEY FEATURES

- Suitable for Wet Location
- Air Tight
- Fits most surface mount fixtures
- Suitable for recessed fixtures
- Solution for suspended lights with external driver

CONSTRUCTION

- Unit includes Air Tight Gasket, Wiring Box, Hanger bar with nails, 4" Vertically adjustable Bottom Ring and Adapter Ring for Recessed Mount Fixture

MOUNTING

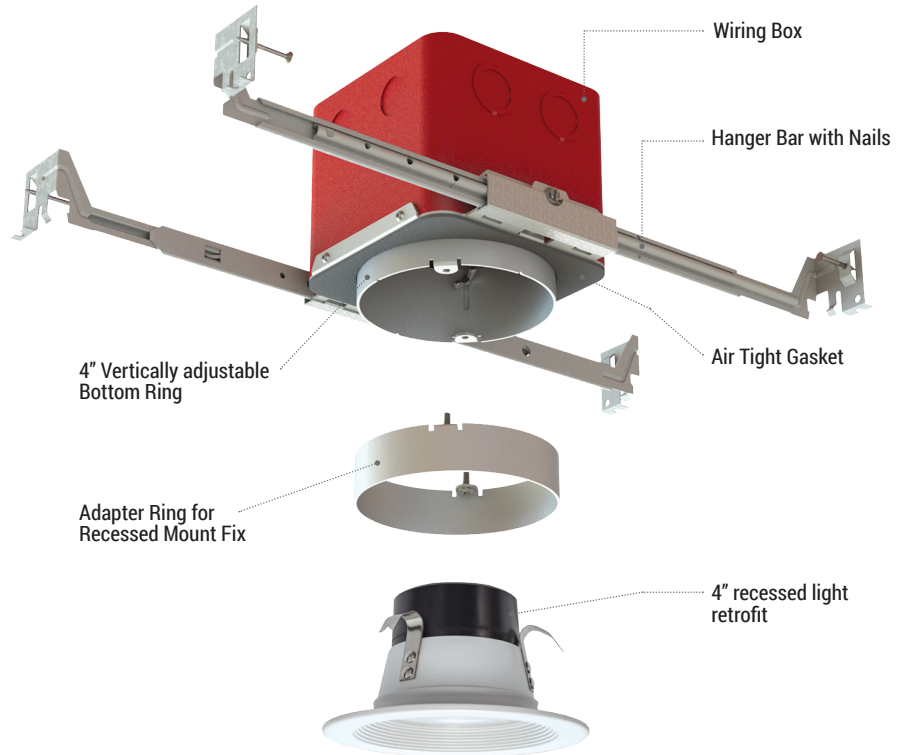
- Ceiling mount for new construction

APPLICATIONS

- Surface mount fixtures
- Recessed mount fixtures

COMPLIANCE CERTIFICATION

- Conforms to UL1598 Recessed Luminaire Housing rated IC
- Conforms to UL514A Metallic Outlet Box, fire rated up to 2 hours



COMPATIBLE WITH SURFACE MOUNT FIXTURES AND RECESSED DOWNLIGHT RETROFIT KITS (SOLD SEPARATELY)



MRD/MSD 4" SERIES
4" Round/Square LED Retrofit
Recessed Downlight



MSSM / MRSM SERIES
Square / Round Surface Mount
Downlight

FOR MORE INFORMATION, PLEASE CALL US!