

# EMERGENCY LED DRIVER

# MHV-25W-EM-110V

**Adaptive Power 5-25W**

**⚡ 100-277Vac**

## Features

- Easy wiring: directly connect to AC input of LED lamps
- Ideal for many kinds of indoor LED fixtures 5-25W
- Listed for factory or field installation-UL924 & CSA C22.2 NO.141
- Input Voltage: 100-277V AC,50-60Hz
- OCP SCP OLP
- Meet CEC Title 20 standards(California Energy Commission)

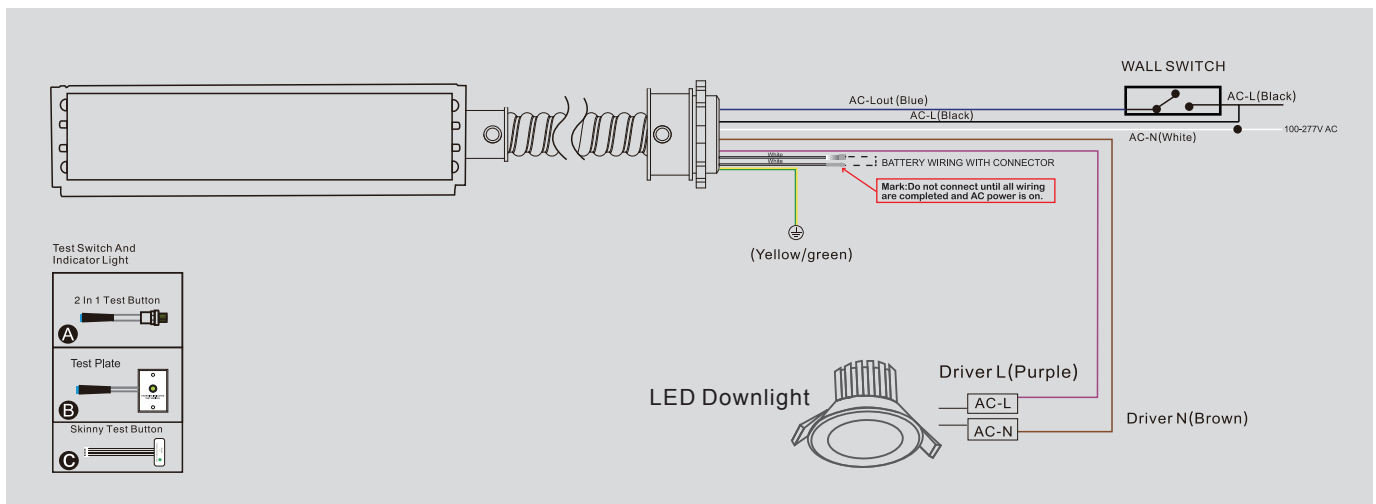


## Specifications

Input voltage: 100-277V AC	Output voltage: $\leq 110$ V AC
Input current: $\leq 100$ mA	Adaptive power:5-25 W
Input power: 7W Max	Output current: $\leq 0.3$ A
Charging time: $\geq 24$ Hours	Emergency time:1.5H
Ambient Temperature 0°C to+50°C(30°F to122°F)	

## Wiring : For LED Driver With Input Power Less Than Emergency Output Power

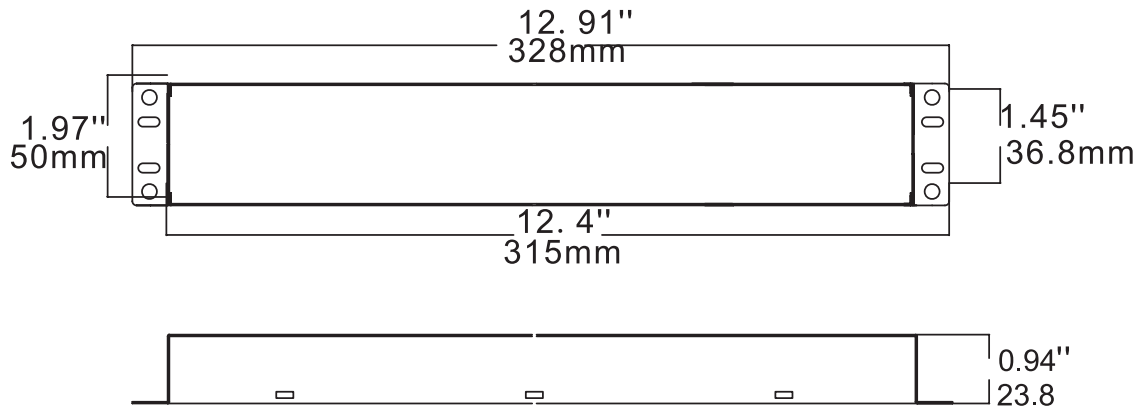
### NON Dimmable LED Driver



Emergency Driver can be used with either a switched or unswitched or emergency only fixture. If a switched fixture is used, an unswitched hot lead must be connected to the emergency driver. The emergency driver must be fed from the same branch circuit as the AC driver. It is not recommended with fixtures where the ambient temperature may fall below 0°C. The product is suitable for installation in sealed and gasketed fixtures.

## Dimensions

Case: 12.91" X 1.97" X 0.94" (mounting center 12.4")



## Emergency LED Driver IMPORTANT SAFEGUARDS

When using electrical equipment, basic safety precautions should always be followed including the following:

### READ AND FOLLOW ALL SAFETY INSTRUCTIONS.

- Risk of fire or electric shock. Luminaire wiring and electrical parts may be damaged when drilling for installation of LED Emergency Backup. Check for enclosed wiring and components.
- Risk of fire or electric shock. This LED Emergency Backup installation requires knowledge of luminaire electrical systems. If not qualified, do not attempt installation. Contact a qualified electrician.
- Before installing, make certain the AC power to the fixture is off.
- The electrical rating of this product is 100-277Vac. Installer must confirm that there is 100-277Vac to the fixture before installation.
- To prevent electrical shock only mate unit connector after installation is complete and before the AC power to the fixture is back on.
- This LED Emergency Backup unit requires an un-switched AC power source of 100-277Vac, 50/60Hz. The AC driver must be on the same branch circuit as the LED Emergency Backup unit.
- Do not let power supply cords touch hot surfaces.
- Do not mount near gas or electric heaters.
- Do not use outdoors.
- Do not connect battery pack connector until all other wiring is complete and AC power is on.
- The emergency LED driver is for use with grounded, UL listed LED luminaires, shall be enclosed by the LED luminaire and bonded to the grounding of LED luminaire.
- Verify that all replacement lamp types marked on the installed luminaire are also identified as suitable for use with this emergency battery pack.
- The battery pack is fixed by the screw and the indicator lamp is attached to the shell of the luminaire by 3M tape.
- Equipment should be mounted in locations and at heights where it is not be subjected to tampering by unauthorized personnel.
- The use of accessory equipment not recommended by the manufacturer and may cause an unsafe condition.
- Do not use this equipment for other than its intended use.
- Use with grounded, UL Listed, dry or damp location rated fixtures.

