

# HIGH OUTPUT VOLTAGE EMERGENCY DRIVER

# Simple Install

## DESCRIPTION

This emergency driver is designed to supply the power to LED lights during power outage, suitable for 3~80W lamp with internal or external led driver. 9W-80W lamp must be with 0/1-10V dimmer function.

With deep discharge protection and IP20 protection, it works perfect in most industry and commercial appliances.



MHV-8W-EM-170V

## SPECIFICATION FEATURES

### APPLICATIONS

- Additional relay that can control standard LED driver.
- Not intended for use in luminaires for high-risk task area lighting.
- Suitable for 3-80W lamp with internal LED driver
- 8W above lamp must be with 0-10V or

1-10V dimmer. Lamp power must be  $\leq$  8W when dimmer is at the lowest voltage.

- Input voltage 120-347VAC
- Output over voltage protection.
- Output under current protection.
- Output short circuit protection.

### DRIVER

- Suit for 3W to 80W lamp with internal or external LED driver, 9-80W lamp must be with 0/1-10V dimmer function. Lamp below 8W could be without 0/1-10V dimmer function.
- Used with LiFePO4 battery.
- 120-200Vdc output.
- LED emergency converter that transfer standard LED fitting into emergency LED fitting.
- Accessory test switch and charge indicator.

### MOUNTING

- Use with grounded, UL listed, damp location rated fixtures and case should be grounding.
- The equipment is intended for ordinary locations and for permanent installation into one or more listed emergency luminaires.

### TEST SWITCH

- Emergency conversion kit will go into emergency mode if test switch is pressed when main supply is on, while it will go into charging mode if test switch is not pressed.
- In emergency mode, press the test switch for 3 seconds to turn off the current emergency state.

### LED INDICATOR

- Red stable: charging mode or charging full
- Red off: main power off or discharging mode

### COMPLIANCE/CERTIFICATION

- UL certified.
- EMI/RFI emissions per FCC 47CFR Part 15B.
- Suitable for damp locations.

### WARRANTY

- 5 years manufacturer warranty, consult [www.mwledlighting.com](http://www.mwledlighting.com) for more details.
- \* Terms and conditions may apply.

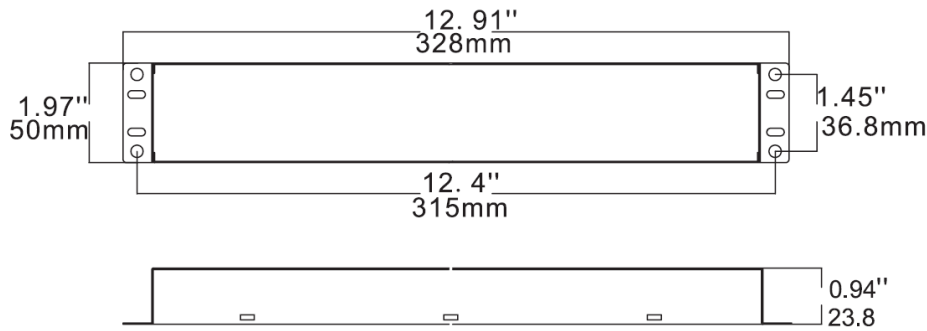


# ORDERING INFORMATION

Item	Data
Rated input voltage	100-347VAC,50/60Hz
Input current	<100mA max
Input power	6W max
Output voltage range	<170V DC
Output voltage(emergency mode)	8W,constant power
Recharge time	24hours
Discharge time	90 minutes
Max. casing temperature tc	50 °C
Ambient operating temperature ta	0-50 °C
Design life	50000 hours
RFI/EMI	FCC

## Dimension

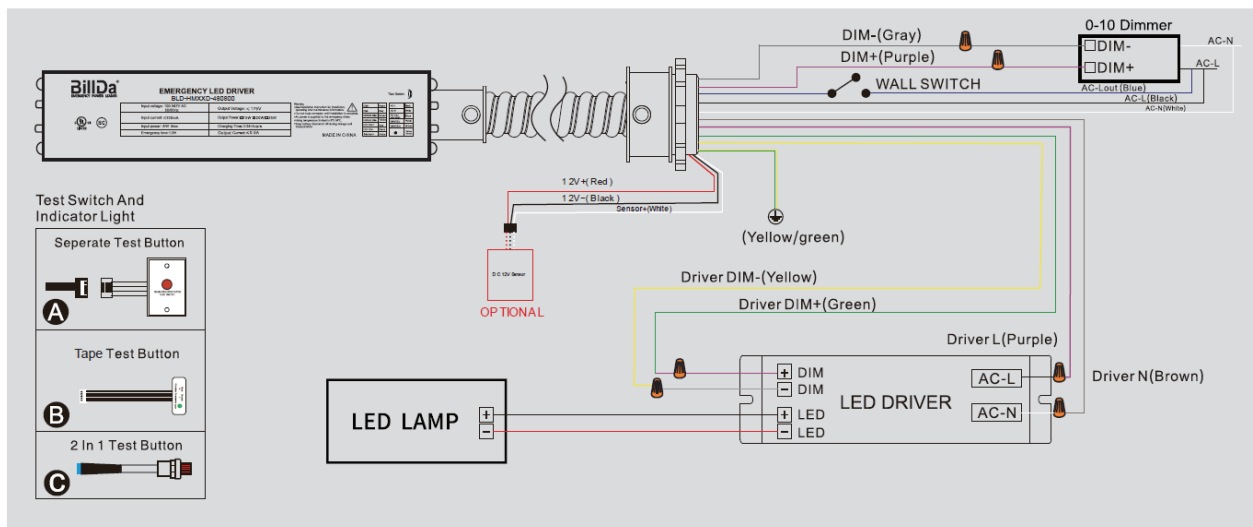
Model	Length(Inch)	Width(Inch)	Height (Inch)	Weight(LB)
MHV-8W-EM-170V	12.91	1.97	0.94	??



## Wiring diagram

### 0/1-10V Dimmable LED Driver + Dimmer Switch

Emergency Driver Dim+(Yellow) , Driver Dim-(Green) Have to connect with LED driver DIM+ and DIM-



MWLIGHTING

www.mwledlighting.com | Tel: 909-972-6777 | E-mail: Info@mwledlighting.com | 17578 Rowland St., City of Industry, CA 91748