

MRSDMP-346 / MRSDMP-468

3"/4"/6"/8"

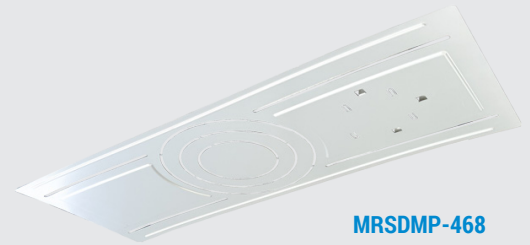
Mounting Plate for Can-less Downlight

Project Name:	Order Number:	Prepare by:	Note:	Date:	Type:

This can-less down light mount plate offers perfect protection for your ceiling. Some times damage to the ceiling will happen when you pull out the can-less downlight. You won't need to worry about this while you install the can-less downlight onto the mount plate.

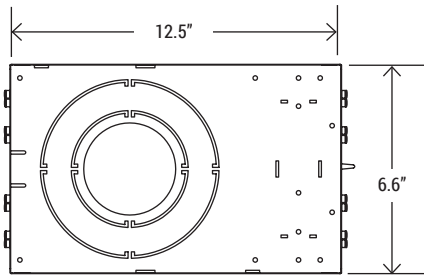


MRSDMP-346



MRSDMP-468

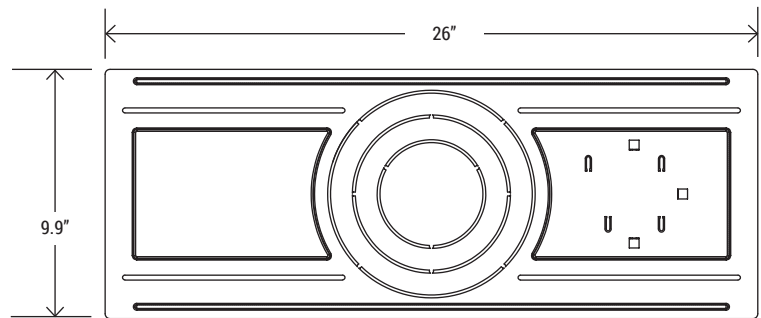
DIMENSION



MRSDMP-346

COMPATIBLE

- MW ultra-slim can-less 5CCT downlights in 3", 4" and 6"
- MW ultra-slim can-less smart downlights in 4" and 6"
- MW can-less gimbal downlights in 3" and 4"
- MW can-less swivel downlights in 4" and 6"



MRSDMP-468

COMPATIBLE

- MW ultra-slim can-less 5CCT downlights in 4", 6" and 8"
- MW ultra-slim can-less smart downlights in 4" and 6"
- MW can-less gimbal downlights in 4"
- MW can-less swivel downlights in 4" and 6"

CONSTRUCTION

- Unit includes steel mount plate, extend hanger bar and nails (MRSDMP-346)
- Unit includes steel mount plate (MRSDMP-468)

MOUNTING

- Above ceiling
- Ceiling joists & drop ceiling installations