

# MSB01-150W

## ECO LED SHOEBOX LIGHT

Project Name:	Order Number:	Prepare by:	Note:	Date:	Type:

**150 WATTS**

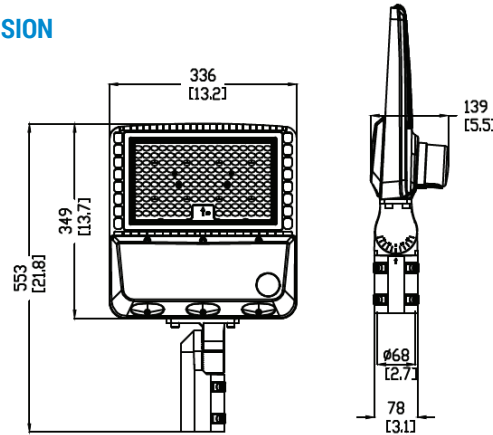
The **MSB01-150W** series  
Robust and reliable, this LED product is a economical solution for your industrial applications. Constructed out of heavy duty die-cast aluminum with architectural baked polyester powder coating for lasting durability. Designed to replace the non-LED light fixture.

This product is UL & CUL / DLC certified. It is popular in side walk, parking lots, swimming pools, public area and other commercial area.



Select color temperature from  
• 5000K **DAYLIGHT**

### DIMENSION

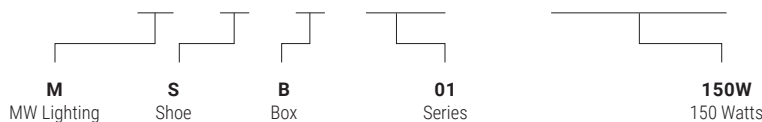


### TECHNICAL SUMMARY

LUMENS	WATTS	EFFICACY	CRI	VOLTAGE	BEAM °	CCT	PF	LIFE	OPERATING TEMP.
20250	150W	135 lm/W	70	120V, 277V	TYPE II, III IV, V	5000K	>0.9	50,000 hrs	-40°F ~ 113°F

### PART NUMBER ORDERING SUMMARY

**M S B 0 1 - 150W**



# MSB01-150W



## ECO LED SHOEBOX LIGHT

Project Name:	Order Number:	Prepare by:	Note:	Date:	Type:

### CONSTRUCTION

Unit includes heavy duty cast aluminum housing, LED array, heat sink, lens and gasket.

### OPTICS

- Lumileds LED high luminous, greatly improve the light utilization and evenness
- CRI 70+

### DRIVER

120-277V universal input voltage.

### MOUNTING

Multiple mounting methods with selected bracket option

### LISTING

- UL & CUL listed.
- EMI/RFI emissions per FCC 47CFR Part 15B.
- RoHS compliant, contains no mercury or lead.
- Suitable for wet locations.

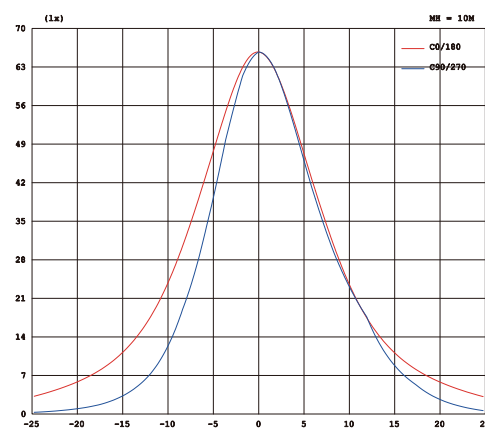
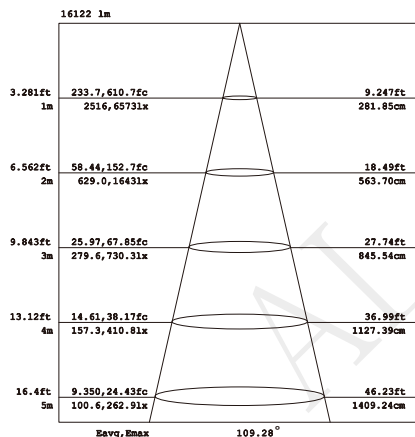
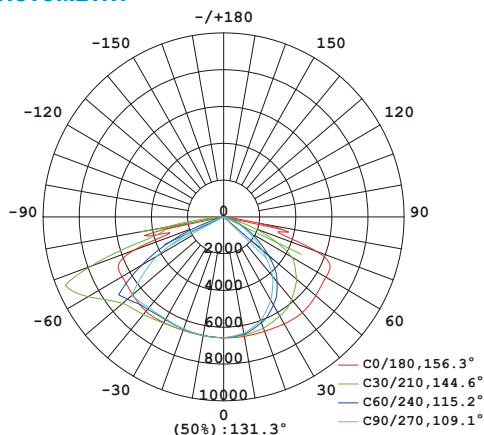
### WARRANTY

5 years manufacturer warranty, consult [www.mwledlighting.com](http://www.mwledlighting.com) for more details.

\* Terms and conditions may apply.

\*5 years limited LED luminaire warranty to the original purchaser that the luminaire shall be free from defects in materials and workmanship from date of shipment, when under properly installed at normal conditions of use. The warranty may not cover physical damage or abuse under certain conditions.

### PHOTOMETRY



### MOUNTING TYPES (SOLD SEPARATELY)



Direct (DI)



Slip Fitter (SF)



Square / Round Pole Bracket (SR)



Trunnion (TR)



U Bracket

### OTHER ACCESSORIES (SOLD SEPARATELY)



Microwave motion sensor



Lightning arrester



Socket base of photocell



Shorting cap



Photocell (dusk to dawn)