

LED T8 TUBE SERIES



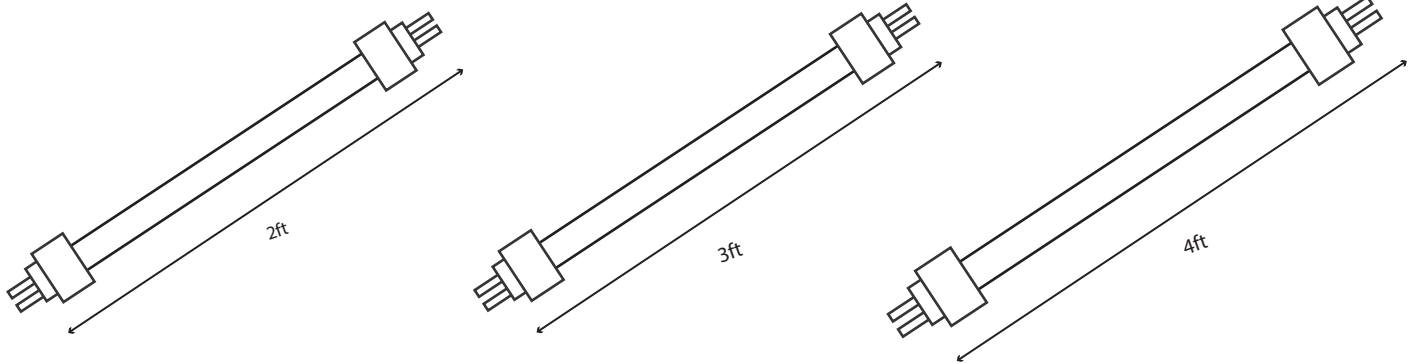
LED Tube

Project Name:	Order Number:	Prepare by:	Note:	Date:	Type:

The MAPT8 LED tubes are designed to upgrade existing T8 fluorescent fixtures with energy-efficient LED technology. These LED tubes come with a range of features, including a 100-277 Vac input, and are available in 3500K, 4000K, and 5000K color temperatures. They are non-dimmable and suitable for damp locations, ensuring versatility in various environments. Certified by DLC and UL, the MAPT8 LED tubes offer reliability and safety. Their design allows for easy installation and they are a cost-effective choice for enhancing lighting in workshops, shopping malls, offices, commercial buildings, and other public spaces.



DIMENSION

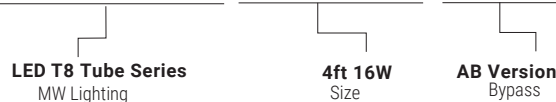


TECHNICAL SUMMARY

MODEL NO.	WATTS	LUMENS	CCT	VOLTAGE	DIMMING	CRI	CERTIFICATION
MAPT8-2F09-AB	9 W	1170Lm	35/40/50K	100-277V	N/A	N/A	UL/DLC
MAPT8-3F12-AB	12W	1560Lm					
MAPT8-4F12-AB	12W	1800Lm					
MAPT8-4F16-AB	16W	2340Lm					

PART NUMBER ORDERING SUMMARY

MAPT8-4F16-AB



LED T8 TUBE SERIES



LED Tube

Project Name:	Order Number:	Prepare by:	Note:	Date:	Type:

CONSTRUCTION

- Unit includes heavy duty metal frame, LED array, heat sink, hanger, security cable and high quality LED tube.

OPTICS

- Diffuse for uniform illumination.

DRIVER

- 100 - 277V 60Hz universal input voltage
- Non-Dimmable

*5 years limited LED luminaire warranty to the original purchaser that the luminaire shall be free from defects in materials and workmanship from date of shipment, when under properly installed at normal conditions of use. The warranty may not cover physical damage or abuse under certain conditions.

MOUNTING

Ceiling and pendant mount

LISTING

- UC Listed
- DLC Verified

WARRANTY

5 years manufacturer warranty, consult www.mwledlighting.com for more details.

* Terms and conditions may apply.

HIGHLIGHT



Energy-Efficient Upgrade

Replace T8 fluorescent tubes with LED for improved efficiency.



Damp Location Rated

Suitable for use in environments where moisture is present