

MGN-30/40/50W-3CCT

LED Outdoor Goose Neck Light with Photocell



Goose Neck Fixture

The MGN Series **Goose Neck Fixture with Photocell** combines classic architectural styling with modern LED efficiency and automatic dusk-to-dawn operation. Designed for storefronts, signage, barns, restaurants, and exterior wall lighting, it delivers reliable and uniform illumination while enhancing building aesthetics. Featuring **selectable wattage, 3CCT options, and a built-in photocell**, it provides flexible and energy-efficient outdoor lighting performance for commercial and residential applications.



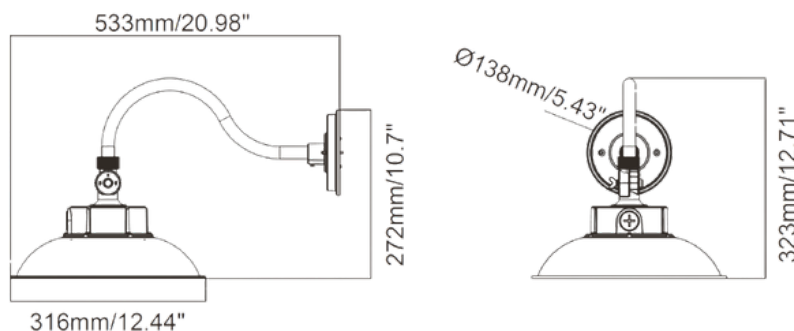
Key Features — Goose Neck Fixture

- Built-in photocell for automatic dusk-to-dawn operation
- Classic goose neck fixture design for architectural applications
- Selectable wattage for flexible light output
- 3CCT selectable (3000K / 4000K / 5000K)
- High-efficiency LED performance
- Ideal for storefronts, signage, barns, and exterior walls
- Wide-area illumination with uniform light distribution
- Durable outdoor construction for long-term use

	MGN-30/40/50W-3CCT
Color Temp.	30/40/50K
Wattage	30/40/50W
Lumens	3900/5200/6500LM
Voltage	120-277V
CRI	80+



Dimension



MGN-30/40/50W-3CCT

LED Outdoor Goose Neck Light with Photocell



Technical Summary

Item Number	Description	Wattage	Lumens	Color Temp.	Voltage	CRI
MGN-30/40/50W-3CCT	Goose Neck Fixture	30/40/50W	3900/5200/6500LM	30/40/50K	120-277V	80+

Construction

- Durable aluminum housing for excellent heat dissipation
- Heavy-duty goose neck mounting arm for secure installation
- Weather-resistant powder-coated finish for outdoor durability
- Engineered for long-term exterior performance
-

Driver

- Integrated high-performance LED driver
- 120–277V wide voltage input
- Built-in photocell for automatic dusk-to-dawn control
- Stable and energy-efficient LED operation
- Flicker-free performance for commercial environments

Optics

- 3CCT selectable color temperature (3000K / 4000K / 5000K)
- High-efficiency LED array for bright and uniform illumination
- Wide beam distribution for signage and area lighting
- CRI 80+ for consistent color rendering

Mount

- Wall-mounted installation with goose neck arm
- Ideal for storefronts, signage, barns, warehouses, and exterior facades
- Secure mounting design for outdoor applications
- Suitable for commercial and architectural lighting projects



MGN-30/40/50W-3CCT

Project Name:	
Prepare By:	
Date:	
Contact/Phone:	

Item Number	Description
MGN-30/40/50W-3CCT	Goose Neck Fixture

