

# Reflector For 3CCT UFO High Bay

MUHB-PR-90-16in1/MUHB-PR-90-16in2



## MUHB-PR-90-16in1/MUHB-PR-90-16in2

The MUHB Reflector Series is designed to enhance the lighting performance of UFO 3CCT High Bay fixtures by improving beam control and reducing glare in industrial and commercial environments. Optimized for better compatibility with MW 3CCT UFO High Bay fixtures, the reflector helps deliver more focused and efficient illumination for warehouses, manufacturing facilities, gymnasiums, retail spaces, and other high-ceiling applications.

### Key Features — Reflector

- Optimized compatibility with MW 3CCT UFO High Bay fixtures
- Enhances beam control and light distribution
- Helps reduce glare for improved visual comfort
- Provides more focused illumination for high-ceiling applications
- Durable reflective construction for long-term reliability
- Easy installation onto compatible UFO high bay fixtures
- Ideal for warehouses, factories, gyms, and commercial facilities
- Professional industrial lighting appearance



MUHB-PR-90-16in1



MUHB-PR-90-16in2

Item Number	Description
MUHB-PR-90-16in1	16" PC reflector for 150W
MUHB-PR-90-16in2	16" PC reflector for 240W

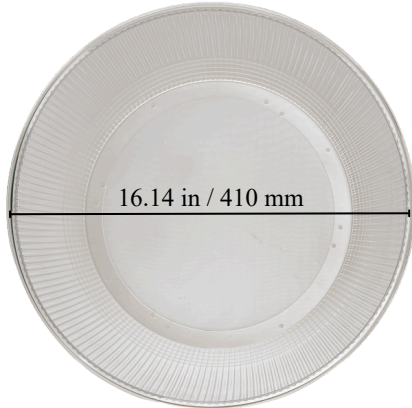
# Reflector For 3CCT UFO High Bay

MUHB-PR-90-16in1/MUHB-PR-90-16in2

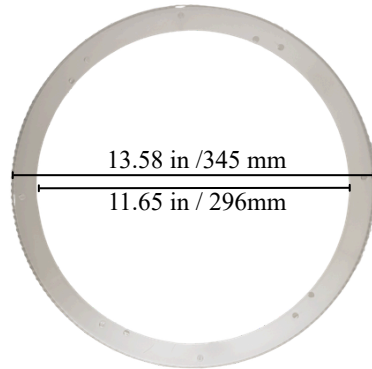


## Dimension

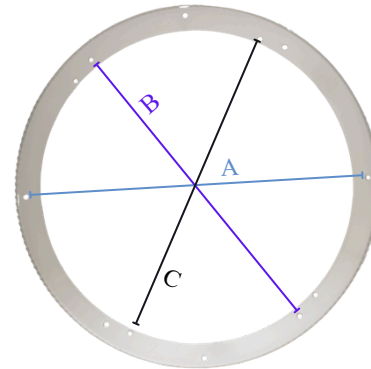
MUHB-PR-90-16in2



Reflector Diameter



Inner Diameter



Hole Diameter

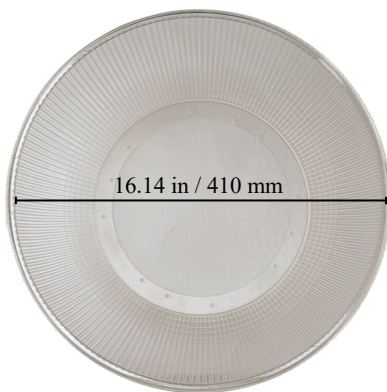
A: 19.91 in / 328 mm  
B: 12.01 in / 305 mm  
C: 11.57 in / 294 mm



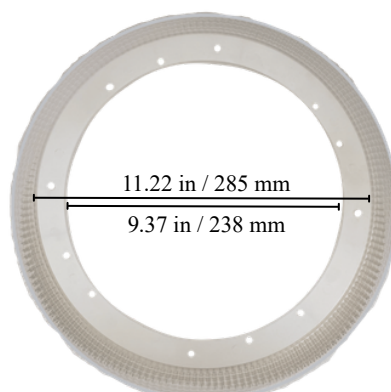
Height

6.02 in / 153 mm

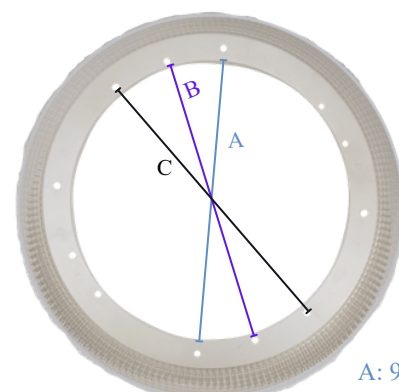
MUHB-PR-90-16in1



Reflector Diameter



Inner Diameter



Hole Size

A: 9.65 in / 245 mm  
B: 9.76 in / 248 mm  
C: 10.16 in / 258 mm



Height

6.30 in / 160 mm

# Reflector For 3CCT UFO High Bay

---

## Compatible Products

	<b>Item Number</b>	<b>Description</b>
	MUHB-100/120/150-3CCT	150W High Bay
	MUHB-150/200/240-3CCT	240W High Bay
	MUHB-100/120/150-3CCT-WH	150W High Bay
	MUHB-150/200/240-3CCT-WH	240W High Bay