

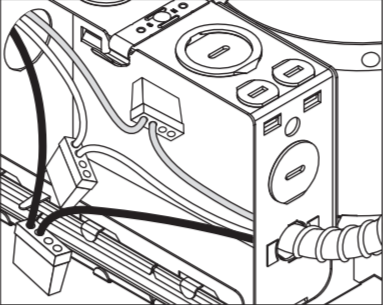
27.94 cm / 11 inch

21.59 cm 8.5 inch

### ELECTRICAL CONNECTIONS

**WARNING:** Risk of Fire. Most dwellings built before 1985 have supply wire rated 60 degrees C. Consult a qualified electrician before installing.

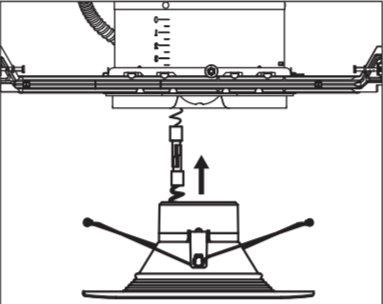
- Junction box contains three wires: hot (black), neutral (white) and bare ground. Connect the two hot wires together (one from the light switch cable and the other from the recessed housing). Repeat the step with the two neutral wires.
- Connect the bare ground wire from the recessed light to the bare wire from the switch.
- Push all of the wires into the junction box and completing the wiring.
- Snap the cover plate closed.



**GROUNDING:** For Romex or 3 wire BX. Flexible armour cable installations attach supply ground lead to bare copper ground lead or ground screw in wiring box mount or mounted on plaster/irradiance. Local electrical codes should be consulted to determine acceptable installation-conduit Romex or flexible armour cable.

### LED TRIM KIT INSTALLATION

Simply plug cable connector on adaptor into the LED trim kit. Insert the trim into the housing firmly. Make sure the LED trim kit is secure in the housing. Restore electrical power after the installation is complete.




### WARRANTY

MW Lighting warrants this products to be free from defects in material and workmanship for up to five (5) years from the date of purchase at its sole discretion. Any changes or modifications and applications not expressly approved by the manufacturer could void the user's authority to operate the equipment and warranty. Please contact MW Lighting at [INFO@MWLIGHTINGUSA.COM](mailto:INFO@MWLIGHTINGUSA.COM) or call 1 (909) 972-6777 for more warranty informations.

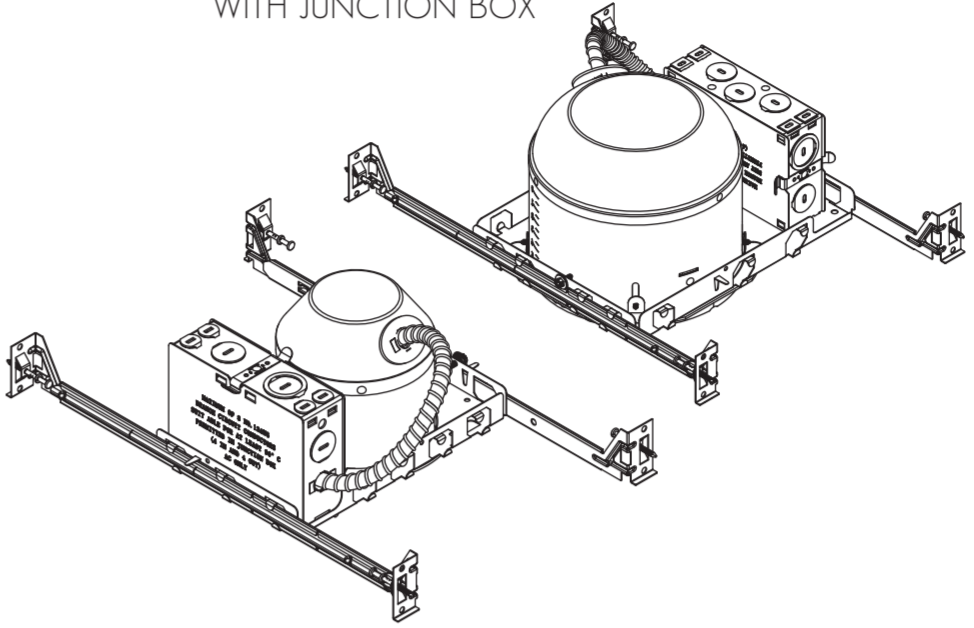
**MW LIGHTING**  
WWW.MWLEDLIGHTING.COM

4 PRINTED IN CHINA



MW-408-SH  
MW-608-SH

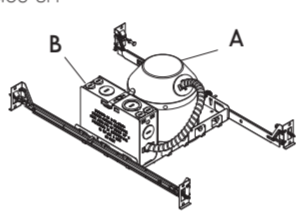
## 4 INCH & 6 INCH IC RECESSED HOUSING WITH JUNCTION BOX



**Before returning to your retailer, please call our customer service department at 1 (909) 972-6777 if you have any questions or problems with the product.**

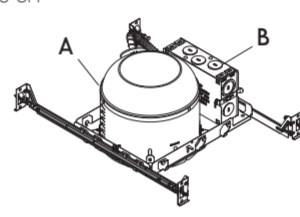
### PACKAGE CONTENTS

MW-408-SH



PARTS		QT
A	4" recessed housing	1
B	Junction box	1

MW-608-SH



PARTS		QT
A	6" recessed housing	1
B	Junction box	1

**MW LIGHTING**  
WWW.MWLEDLIGHTING.COM

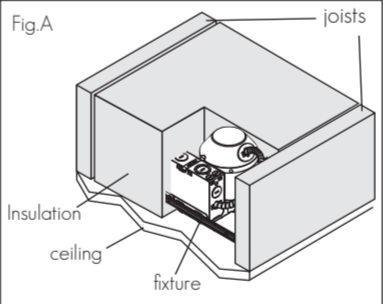
1

### SAFETY INSTRUCTION

**INSTALL AND USE THIS PRODUCT FOLLOWING YOUR LOCAL ELECTRICAL CODES AND REGULATIONS**

**CAUTION:**

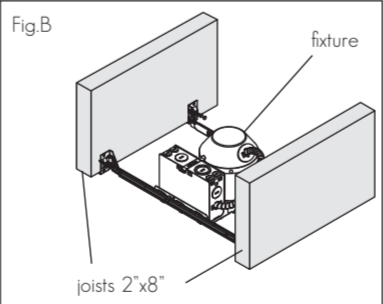
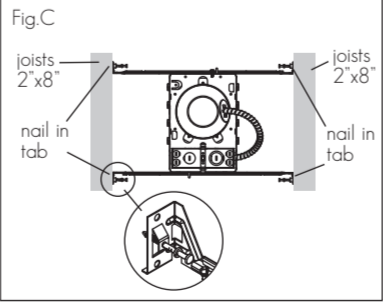
- Consult a qualified electrician before installing fixture.
- This is a new-construction fixture. It can be installed in applications where the ceiling joists are exposed. Do not use this fixture if a ceiling surface already exists and there is no access above the ceiling surface. Also, this fixture can be installed onto a drop ceiling with T-bar grid in place.
- This fixture is an IC type fixture. It direct contact with thermal insulation. It can be completely covered by thermal insulation (as shown in Fig.A). Any part of the fixture may direct contact with any combustible material like ceiling joist or floor board.



### PREPARATION

**CAUTION**  
- Connect fixture to a 120 Volt, 60Hz power source only. Any other connection void the warranty.

- Read the instructions carefully before installing this fixture. Have a qualified licensed electrician install this fixture for you if you are unfamiliar with electrical wiring.
- Before proceeding, be sure the ceiling construction follows the requirements. (as shown in Fig.B)
- Check if the power source is suitable for the fixture and can be added electrical load.
- Shut off electrical power at the fuse or circuit breaker panel.
- Install hanger bars to the fixture, be sure end tab is facing outward. (as shown in Fig.C)

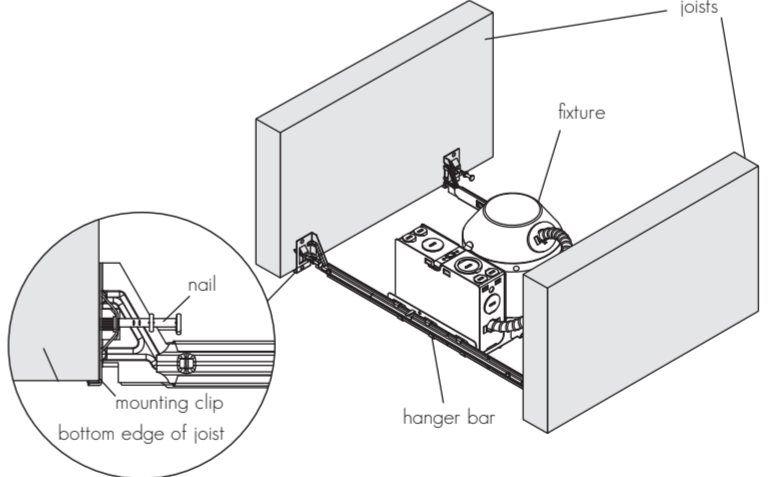



**MW LIGHTING**  
WWW.MWLEDLIGHTING.COM

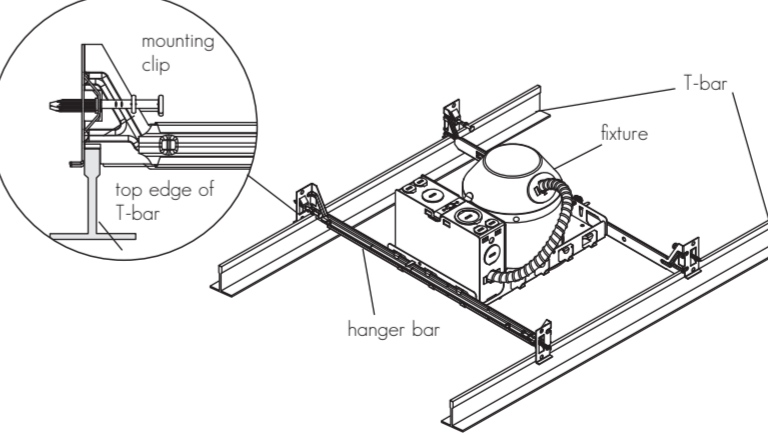
2

### INSTALLATION

- 1, CEILING JOISTS INSTALLATION:** extend hanger bars to fit between joist and position fixture and hammer nail on bars into the joists. Make sure the hanger is leveled with bottom of joists.



- 2, DROP CEILING INSTALLATION:** Adjust the width of both hanger bars to the distance between the two T-bars, snap mounting clips onto the top of its corresponding T-bar. Secure fixture to T-bars.



**MW LIGHTING**  
WWW.MWLEDLIGHTING.COM

3