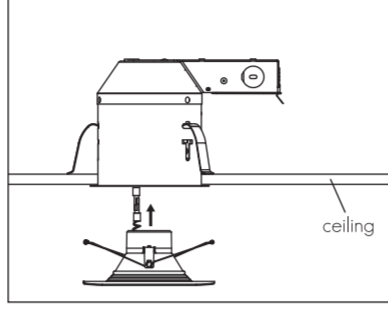
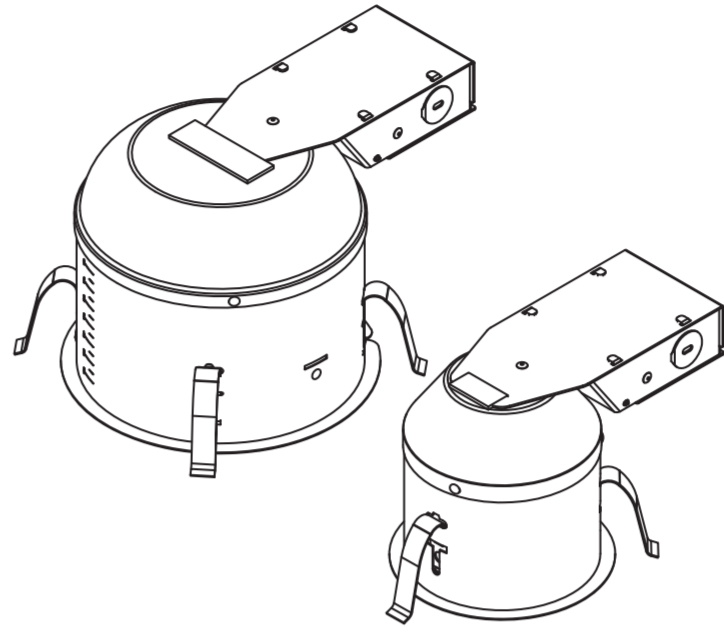
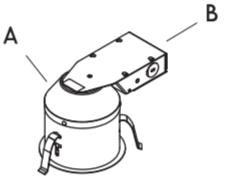
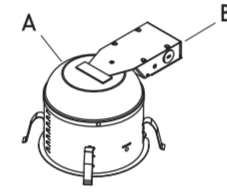
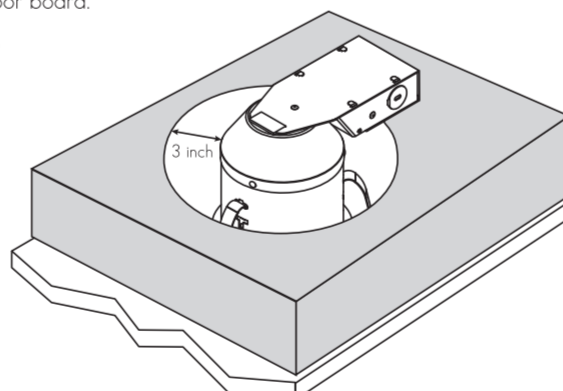
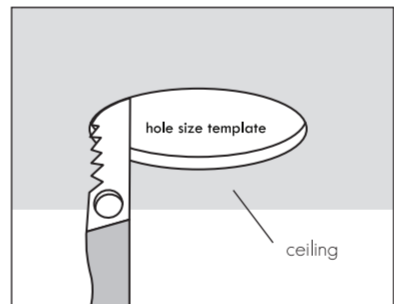
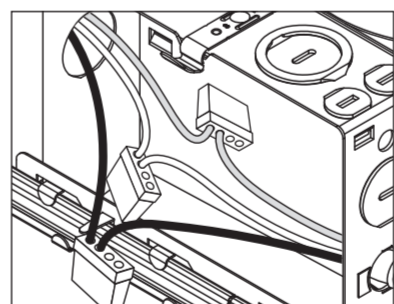
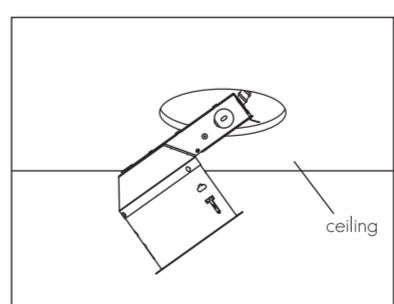
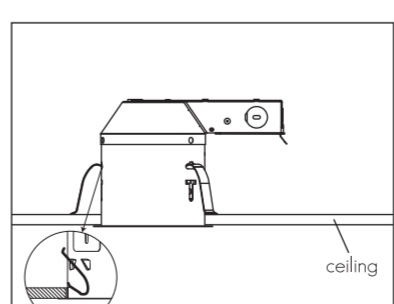


27.94 cm / 11 inch

21.59 cm 8.5 inch

<p style="text-align: center;">LED TRIM KIT INSTALLATION</p> <p>Simply plug cable connector on adaptor into the LED trim kit. Insert the trim into the housing firmly. Make sure the LED trim kit is secure in the housing. Restore electrical power after the installation is complete.</p>  <p style="text-align: right;">ceiling</p> <hr/> <p style="text-align: center;">TROUBLESHOOTING</p> <p>Fixture does not light. Possible Solution and Corrective Action: 1. Power is off - Check fuse, circuit breaker and switch. 2. Incorrect wire connection - Check wiring.</p> <p>Circuit breaker trips when turned on. Possible Solution and Corrective Action: 1. Incorrect wire connection - Check wiring.</p> <p>Flickering when turned on. Possible Solution and Corrective Action: 1. Dimmer not compatible - Check the updated dimmer list, replace with the recommended dimmer. 2. Loose wiring - Check wiring. 3. Faulty switch - Check switch.</p> <hr/> <p style="text-align: center;">WARRANTY</p> <p>MW Lighting warrants this products to be free from defects in material and workmanship for up to five (5) years from the date of purchase at its sole discretion. Any changes or modifications and applications not expressly approved by the manufacturer could void the user's authority to operate the equipment and warranty. Please contact MW Lighting at INFO@MWLIGHTINGUSA.COM or call 1 (909) 972-6777 for more warranty informations.</p> <p style="text-align: center;">4 PRINTED IN CHINA</p>	<p style="text-align: right;">MW-408-SH-RM MW-608-SH-RM</p> <p style="text-align: center;">4 INCH & 6 INCH IC TYPE SHALLOW REMODEL RECESSED HOUSING</p>  <p style="text-align: center;">Before returning to your retailer, please call our customer service department at 1 (909) 972-6777 if you have any questions or problems with the product.</p> <hr/> <p style="text-align: center;">PACKAGE CONTENTS</p> <p>This product is a Title 24 compliant, no screw based sockets or other medium-based incandescent sockets included. Only wire connector For Title 24 recessed light available in the packaging.</p> <div style="display: flex; justify-content: space-around;"> <div style="text-align: center;"> <p>MW-408-SH-RM</p>  <table border="1"> <thead> <tr> <th colspan="2">PARTS</th> <th>QT</th> </tr> </thead> <tbody> <tr> <td>A</td> <td>4" recessed housing</td> <td>1</td> </tr> <tr> <td>B</td> <td>Junction box</td> <td>1</td> </tr> </tbody> </table> </div> <div style="text-align: center;"> <p>MW-608-SH-RM</p>  <table border="1"> <thead> <tr> <th colspan="2">PARTS</th> <th>QT</th> </tr> </thead> <tbody> <tr> <td>A</td> <td>6" recessed housing</td> <td>1</td> </tr> <tr> <td>B</td> <td>Junction box</td> <td>1</td> </tr> </tbody> </table> </div> </div> <p style="text-align: center;">1</p>	PARTS		QT	A	4" recessed housing	1	B	Junction box	1	PARTS		QT	A	6" recessed housing	1	B	Junction box	1
PARTS		QT																	
A	4" recessed housing	1																	
B	Junction box	1																	
PARTS		QT																	
A	6" recessed housing	1																	
B	Junction box	1																	

<p style="text-align: center;">SAFETY INSTRUCTION</p> <p>INSTALL AND USE THIS PRODUCT FOLLOWING YOUR LOCAL ELECTRICAL CODES AND REGULATIONS</p> <p>CAUTION:</p> <ul style="list-style-type: none"> Consult a qualified electrician before installing fixture. This is a new-construction fixture. It can be installed in applications where the ceiling joists are exposed. Do not use this fixture if a ceiling surface already exists and there is no access above the ceiling surface. Also, this fixture can be installed onto a drop ceiling with T-bar grid in place. This fixture is an IC type fixture. It direct contact with thermal insulation. It can be completely covered by thermal insulation (as shown in Fig.A). Any part of the fixture may direct contact with any combustible material like ceiling joist or floor board. <p>CAUTION: INSULATION MUST BE KEPT A MINIMUM OF 3" AWAY ON SIDES AND NO INSULATION ON TOP OF THIS FIXTURE</p>  <p style="text-align: center;">3 inch</p> <hr/> <p style="text-align: center;">PREPARATION</p> <p>CAUTION - Connect fixture to a 120 Volt, 60Hz power source only. Any other connection void the warranty.</p> <ol style="list-style-type: none"> Read the instructions carefully before installing this fixture. Have a qualified licensed electrician install this fixture for you if you are unfamiliar with electrical wiring. Before proceeding, be sure the ceiling construction follows the requirements. (as shown in Fig.B) Check if the power source is suitable for the fixture and can be added electrical load. Shut off electrical power at the fuse or circuit breaker panel. <p style="text-align: center;">2</p>	<p style="text-align: center;">INSTALLATION</p> <p>WARNING: Risk of Fire. Most dwellings built before 1985 have supply wire rated 60 degrees C. Consult a qualified electrician before installing.</p> <ol style="list-style-type: none"> Use the hole size template in the packaging to cut a hole on the ceiling for installation. Junction box contains three wires: hot (black), neutral (white) and bare ground. Connect the two hot wires together (one from the light switch cable and the other from the recessed housing). Repeat the step with the two neutral wires and bare ground wires. Snap the cover plate closed. Remove the mounting clips from the housing can. Place the housing can onto the ceiling through the pre-cutting hole. Install all the mounting clips back to the housing can. Push the mounting clips through the T-socket until they snap onto the ceiling. Secure the housing can to complete the installation.     <p style="text-align: center;">3</p>
---------------------------------------------------------------------------------------------------------------------------------------------------------------------------------------------------------------------------------------------------------------------------------------------------------------------------------------------------------------------------------------------------------------------------------------------------------------------------------------------------------------------------------------------------------------------------------------------------------------------------------------------------------------------------------------------------------------------------------------------------------------------------------------------------------------------------------------------------------------------------------------------------------------------------------------------------------------------------------------------------------------------------------------------------------------------------------------------------------------------------------------------------------------------------------------------------------------------------------------------------------------------------------------------------------------------------------------------------------------------------------------------------------------------------------------------------------------------------------------------------------------------------------------------------------------------------------------------------------------------------------------------------------------------------------------------------------------------------------------------------------------------------------------------------------------------------------------------------------------------------------------------------------------	----------------------------------------------------------------------------------------------------------------------------------------------------------------------------------------------------------------------------------------------------------------------------------------------------------------------------------------------------------------------------------------------------------------------------------------------------------------------------------------------------------------------------------------------------------------------------------------------------------------------------------------------------------------------------------------------------------------------------------------------------------------------------------------------------------------------------------------------------------------------------------------------------------------------------------------------------------------------------------------------------------------------------------------------------------------------------------------------------------------------------------------------------------------------------------------------------------------------------------------------------------------------------------------------------------------------------------------------------------------------------------------------------------