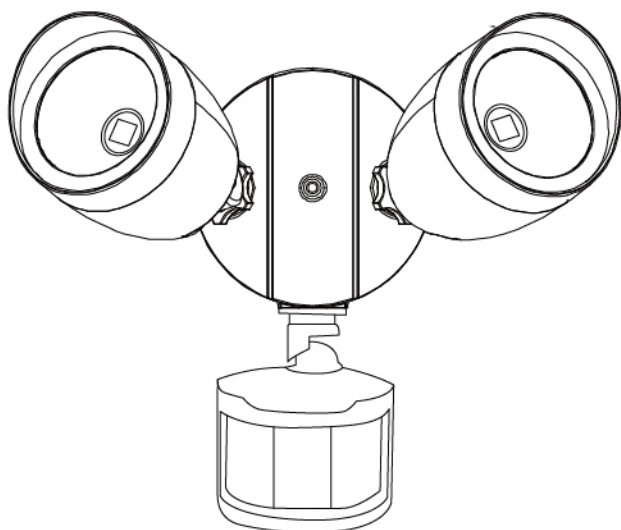
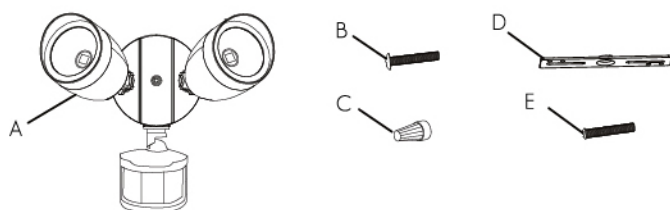


# DOUBLE CONE LED SECURITY LIGHT WITH MOTION SENSOR



Before returning to your retailer, please call our customer service department at 1 (909) 972-6777 if you have any questions or problems with the product.

## PACKAGE CONTENTS



	PARTS	QT
A	lamp with motion sensor	1
B	M 4 x 30 screws	2
C	wire nuts	3
D	crossbar	1
E	plate screw	1

**WARNING**

- Risk of Electric Shock. Turn off power before insection, installation or removal.
  - The fixture can be used in wet location but DO NOT submerge it into the water.
  - Do NOT submerge the fixture into the water even it's suitable for wet location as this can lead to electric shocks.
  - Make sure the fixture is grounded per National Electrical Codes (NEC). Failure to install and wire fixture in accordance with the NEC, all applicable Federal, State and Local electrical codes, as well as specific U.L. safety standards for the intended working environment (location/application), may cause serious personal injury, death and/or property damage.
  - Risk of fire or electric shock, installation of the device requires knowledge of luminaires electrical systems. Do NOT attempt installation if not qualified. Contact a qualified electrician.
  - Do NOT alter, relocate or remove wiring, lamp holder, power supply or any other electrical components.
  - To prevent wiring damage or abrasion, do not expose wiring to edges of sheet metal or ohter sharp objects.
  - Do not operate the device if there's any visible damage to the device.
  - Do not operate the device if there are any signs of smoke, steam, over-heating or crackling noise can be heard from the device.
  - The manufacturer will not be deemed liable or held responsible for any damage caused by faults or manufacturing defects that may be present in any of its products or the misuse or incorrect installation of the device.
- While performing installations described, gloves, safety glasses or goggles should be worn.

**CAUTION**

- Connect fixture to a 120 Volt, 60Hz power source only. Any other connection void the warranty.

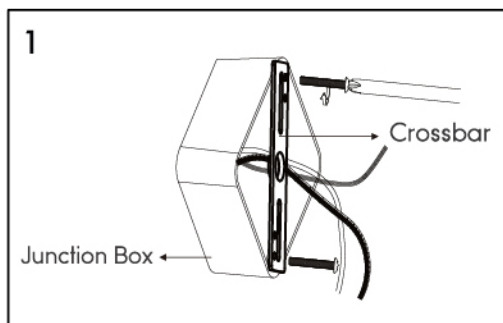
This device complies with Part 15 of the FCC Rules. Operation is subject to the following two conditions: (1) This device may not cause harmful interference, and (2) this device must accept any interference received, including interference that may cause undesired operation.

This equipment has been tested and found to comply with the limits for a Class B digital device, pursuant to part 15 of the FCC Rules. These limits are designed to provide reasonable protection against harmful interference in a residential installation. This equipment generates, uses and can radiate radio frequency energy and, if not installed and used in accordance with the instructions, may cause harmful interference to radio or television reception, which can be determined by turning the equipment off and on. The user is encouraged to try to correct the interference by one or more of the following

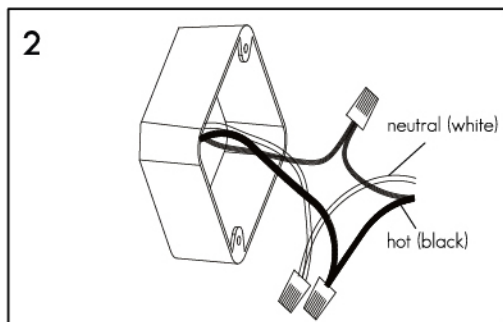
measures:

- Reorient or relocate the receiving antenna.
- Increase the separation between the equipment and the receiver.
- Connect the equipment into an outlet on a circuit different from that to which the receiver is connected.
- Consult the dealer or an experienced radio/TV technician for help.

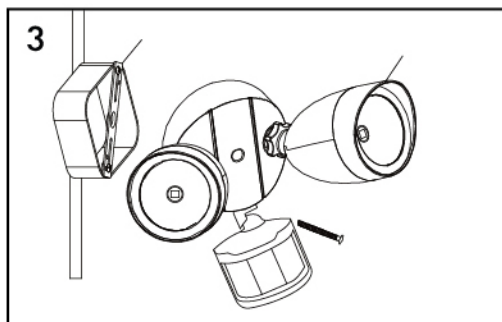
## INSTALLATION



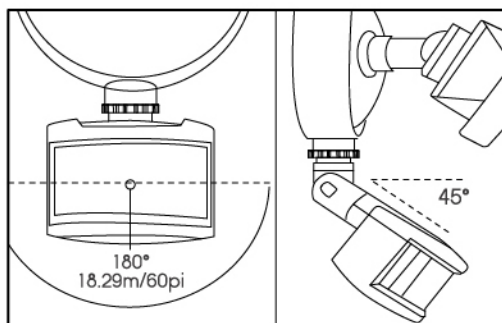
1. Attach the crossbar (D) to the junction box (not included) with the screws (B).



2. Connect the fixture to 120Vac 60Hz circuits. Junction box contains three wires: hot (black), neutral (white) and bare ground. Connect the two hot wires (one from the light switch cable and the other from the recessed housing) together with wire nut (C). Repeat the step with the two neutral wires and ground wires. Close the junction box to complete the wiring.

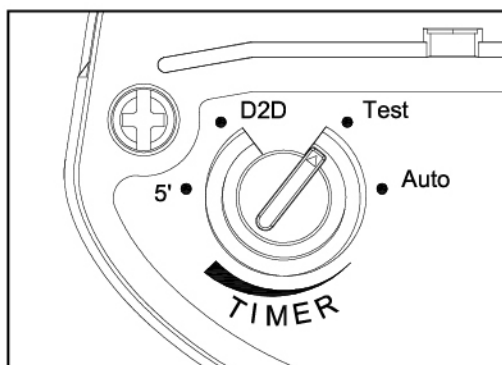


3. Align mounting holes of lamp body(A) to the crossbar(D), secure with the provided plate screw(E) and complete the installation.



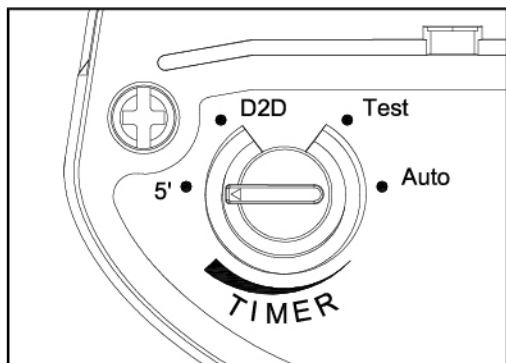
Note: Do not aim the sensor at the water, plants that will move in the wind, rain and traffic etc. as those will trigger the sensor. Make sure the joint screws in the sensor arm are tightened.

## OPERATION



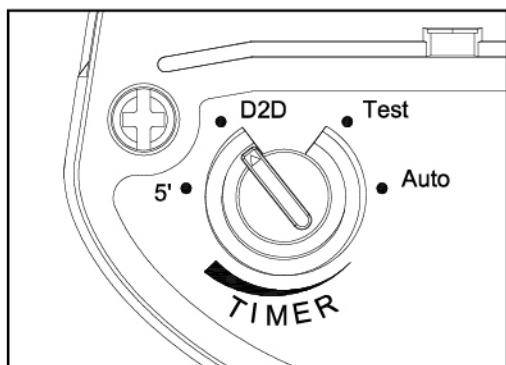
### Test mode

Test the motion sensor before setting the Time and Sensitivity. Turn the light on and let it warm up for 15 seconds. Turn the "Timer" control knob to "Test". The indicator light in the sensor will flash twice. The light will turn on automatic while any motion is detected and will stay on for 5 seconds when motion stops.

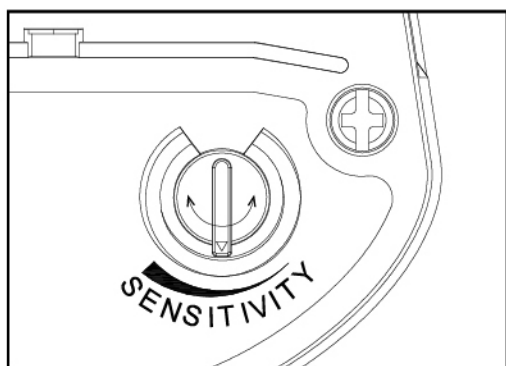
**Auto mode**

Once tested, set the control knob to "Auto". The indicator light will flash 4 times, now it is set to auto mode. In this mode, the light will stay on for 10 seconds to 5 minutes when motion is detected at night. Turning the knob between "Auto" and "5" will change the length of time.

† Motion sensor will only operate during nighttime.

**Dusk-to-Dawn mode**

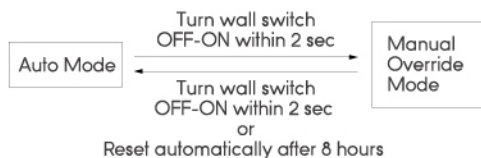
Set the control knob to "D2D" position. The indicator light will flash 6 times, showing it is set to dusk-to-dawn mode. The light will stay on during the night and go off at dawn automatic, regardless of motion.

**Sensitivity**

To control the sensitivity of the motion sensor, simply turning the knob clockwise to raise the detection range up to 60ft. Turning counterclockwise to lower the detection range, the minimum detection range is 5ft.

† Higher sensitivity level will increase the chances of false activation.

## Manual Override Operating Diagram

**Manual override**

Set the fixture to auto mode at night, turn the wall switch off then turn on within 2 seconds. The security light will stay on for about 8 hours or until the sensor detects sunlight at the morning. Repeat to return it back to auto mode.

MODE	CONTROL KNOB	WALL SWITCH	SENSITIVITY KNOB
Test mode.	Test position.	On.	Any setting.
AUTO motion sensor mode.	Timer area (between "Auto" and "5").	On.	Any setting.
Dusk to Dawn mode.	D2D position.	On.	Any setting.
Manual override mode.	Timer area (between "Auto" and "5").	Toggle OFF and ON within two seconds.	Any setting.
Return to AUTO Motion sensor mode.	Timer area (between "Auto" and "5").	On.	Any setting.

## TROUBLESHOOTING

- Extremely hot or cold weather could affect the performance of the built-in sensors that detect body heat.
- Certain winter clothing can shield a person's body heat from the sensor during extremely cold weather.
- During extremely hot weather, the sensor may not be able to distinguish the difference between normal body temperatures and the surrounding high temperatures.
- The sensor will begin working normally once weather conditions return to normal.

## TROUBLESHOOTING

PROBLEM	POSSIBLE CAUSE	CORRECTIVE ACTION
Light does not turn on at night when motion is detected.	<ol style="list-style-type: none"> <li>1. Power is off</li> <li>2. Incorrect or loose wire connection</li> <li>3. Another light source is causing the security light or regard it as daylight</li> </ol>	<ol style="list-style-type: none"> <li>1. Check fuse, circuit breaker and switch.</li> <li>2. Check wiring.</li> <li>3. Turn off surrounding lights and/or adjust the direction of sensor head.</li> </ol>
Light turn on during daytime.	<ol style="list-style-type: none"> <li>1. Dusk-to-Dawn sensor is in a shaded area.</li> </ol>	<ol style="list-style-type: none"> <li>1. Use a flashlight to test the light sensor. If the light turns off, relocate the fixture to another area.</li> </ol>
Light cycles ON and OFF continuously.	<ol style="list-style-type: none"> <li>1. Dusk-to-Dawn sensor is sensing reflected light from the fixture</li> </ol>	<ol style="list-style-type: none"> <li>1. Change the position of the light head, aim light away from the reflecting surfaces.</li> </ol> <p>Put a small piece of black electrical tape over the Dusk-to-Dawn sensor.</p> <p>Relocate the fixture to another location that doesn't cause reflected light.</p>
Light turn on for no apparent reasons at night	<ol style="list-style-type: none"> <li>1. The fixture is sensing motion in the detection zone</li> </ol>	<ol style="list-style-type: none"> <li>1. Make sure the sensor is not picking up any moving objects such as bushes, trees, traffic and water, etc.</li> </ol> <p>Test the motion sensor by covering up the front curved lens with a cardboard. If the light turns off then something in the detection zone is kept triggering the sensor. Reposition the motion sensor or lower the sensitivity of the sensor.</p>

## CARE AND MAINTENANCE

- Important: This fixture uses LEDs (light emitting diodes) to provide light. LEDs do not burn out like incandescent bulbs and will last for 45 years or more (based on 3 hours of usage per day).
- Periodically clean the fixture and diffuser using a mild, non-abrasive cleaner and soft cloth. When cleaning the fixture, make sure the power is off. Do not spray cleaner directly onto the fixture.

## WARRANTY

MW Lighting warrants this products to be free from defects in material and workmanship for up to five (5) years from the date of purchase at its sole discretion. Any changes or modifications and applications not expressly approved by the manufacturer could void the user's authority to operate the equipment and warranty. Please contact MW Lighting at [INFO@MWLIGHTINGUSA.COM](mailto:INFO@MWLIGHTINGUSA.COM) or call 1 (909) 972-6777 for more warranty informations.