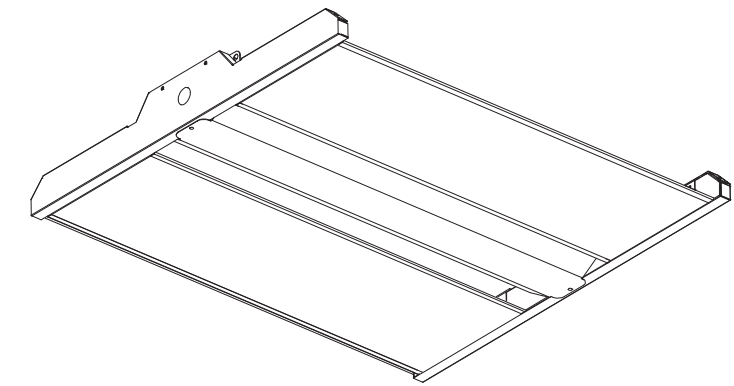


**Item:**  
HT-G2LHB-2FT4L-F81702/277-240D

## LED HIGH BAY



## SAFETY INSTRUCTION

### ⚠ WARNING

- To reduce the risk of death, personal injury or property damage from fire, electric shock, falling parts, cuts/abrasions, and other hazards read all warnings and instructions included with and on the fixture box and all fixture labels.
- Before installing, servicing, or performing routine maintenance upon this equipment, follow these general precautions.
- Commercial installation, service and maintenance of luminaires should be performed by a qualified licensed electrician.
- For the installation: If you are unsure about the installation or maintenance of the luminaires, consult a qualified licensed electrician and check your local electrical code.
- To prevent wiring damage or abrasion, do not expose wiring to edges of sheet metal or other sharp objects.
- Do not make or alter any open holes in an enclosure of wiring or electrical components during kit installation.

### ⚠ WARNING

- Turn off electrical power at fuse or circuit breaker box before wiring fixture to the power supply.
- Turn off the power when you perform any maintenance.
- Verify that supply voltage is correct by comparing it with the luminaire label information.
- All wiring connections should be capped with UL approved wire connectors.

### ⚠ CAUTION

- Avoid direct eye exposure to the light source while it is on.
- Account for small parts and destroy packing material, as these may be hazardous to children.
- Risk of burn. Disconnect power and allow fixture to cool before changing bulb or handing fixture.

**NOTICE:** Green ground screw provided in proper location. Do not relocate.

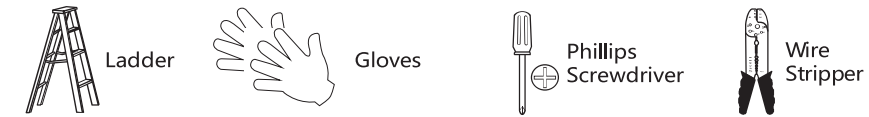
**NOTICE:** Minimum 90°C supply conductors.

**NOTICE:** Specifications and dimensions subject to change without notice.

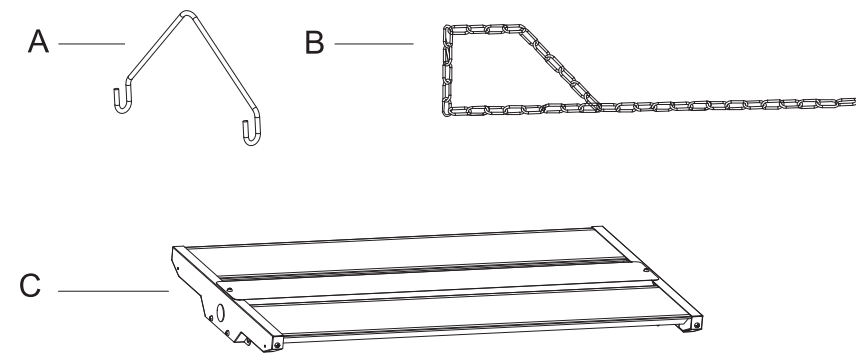
**NOTICE:** Suitable for Dry or Damp location.

## TOOLS REQUIRED

NOTE: Keep your receipt and these instructions for Proof of Purchase.



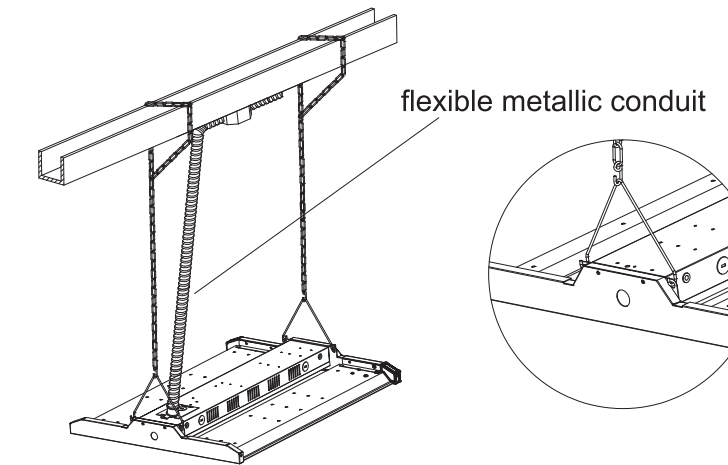
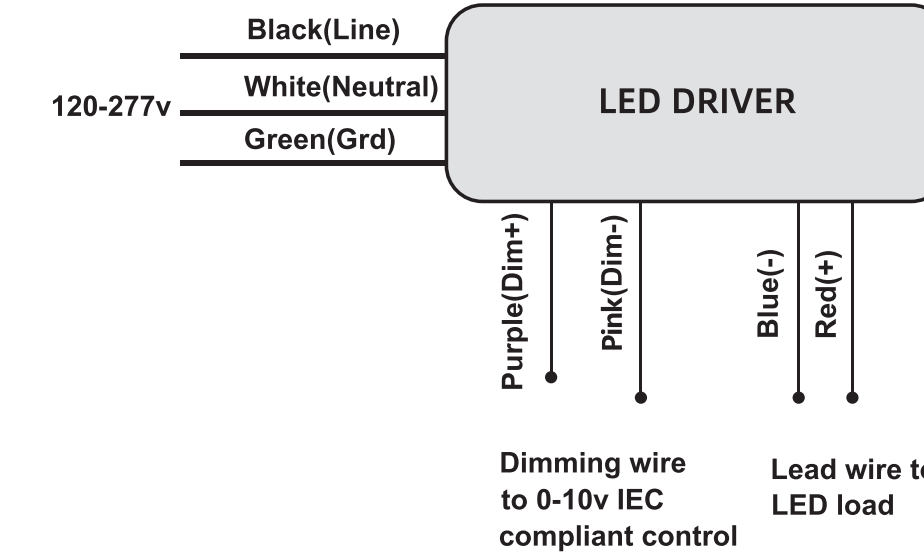
## PACKAGE CONTENT



	PARTS	pcs
A	vhook	2
B	chain	2
C	LED fixture	1

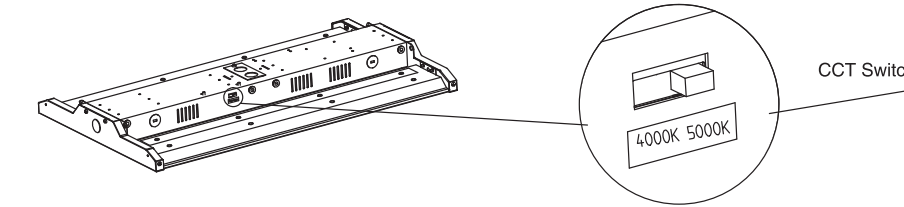
## INSTALLATION INSTRUCTION

### General Wiring Diagram



## INSTALLATION INSTRUCTION

### Field-Adjustable CCT



The end users may adjust the color temperature by the DIP switch buttons integrated into the driver. The DIP switch is accommodated with 2 options (left and right), corresponding to 2 color temperatures, which can perform the desired color temperatures.

Factory Setting: 5000K

1. DIP switch is located onto the side of the fixture.
2. Select color temperature by sliding switch left or right to the desired value.

### Installation Step:

**Always turn off the power supply from main circuit breaker first!**

Chain Mounting with V hook

Step1: Clip the brackets to the slots of fixture

Step2: Attach provided V-Hooks to brackets.

Step3: Attach provided chain to the V-hooks and mounting surface.

**\*\*NOTE:** Purple and pink lead inside the driver compartment are 0-10V (low voltage) dimming leads. Connect to dimming low voltage wiring only.

- Clean all residues/fingerprints from the new LED high bay and lens. Double check all hanging hardware before moving onto the next installation.

## WARRANTY

This product is warranted for 5 years from the date of purchase.