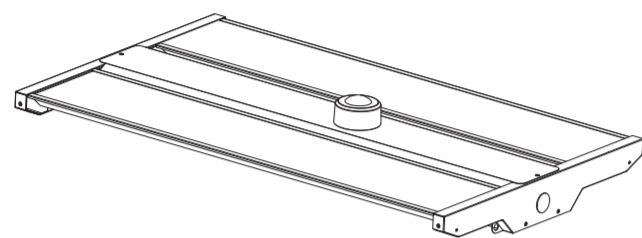


Item:

HT-G3LHB-2FT2L-F8155/277-250D-S
 HT-G3LHB-2FT4L-F8210/277-250D-S
 HT-G3LHB-2FT2L-F8155/277-250D
 HT-G3LHB-2FT4L-F8210/277-250D

LED HIGH BAY

With Optional Motion Sensor



1

SAFETY INSTRUCTION

WARNING

- To reduce the risk of death, personal injury or property damage from fire, electric shock, falling parts, cuts/abrasions, and other hazards read all warnings and instructions included with and on the fixture box and all fixture labels.
- Before installing, servicing, or performing routine maintenance upon this equipment, follow these general precautions.
- Commercial installation, service and maintenance of luminaires should be performed by a qualified licensed electrician.
- For the installation: If you are unsure about the installation or maintenance of the luminaires, consult a qualified licensed electrician and check your local electrical code.
- To prevent wiring damage or abrasion, do not expose wiring to edges of sheet metal or other sharp objects.
- Do not make or alter any open holes in an enclosure of wiring or electrical components during kit installation.

WARNING

- Turn off electrical power at fuse or circuit breaker box before wiring fixture to the power supply.
- Turn off the power when you perform any maintenance.
- Verify that supply voltage is correct by comparing it with the luminaire label information.
- All wiring connections should be capped with UL approved wire connectors.

CAUTION

- Avoid direct eye exposure to the light source while it is on.
- Account for small parts and destroy packing material, as these may be hazardous to children.
- Risk of burn. Disconnect power and allow fixture to cool before changing bulb or handing fixture.

NOTICE: Green ground screw provided in proper location. Do not relocate.

NOTICE: Minimum 90°C supply conductors.

NOTICE: Specifications and dimensions subject to change without notice.

NOTICE: Suitable for Dry or Damp location.

2

INSTALLATION INSTRUCTION

Installation Step:

Always turn off the power supply from main circuit breaker first!

Chain Mounting with V hook

Step1: Clip the brackets to the slots of fixture

Step2: Attach provided V-Hooks to brackets.

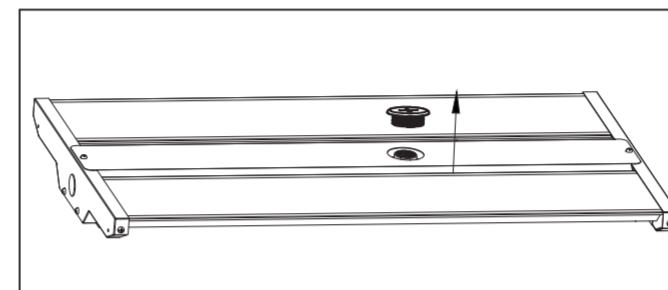
Step3: Attach provided chain to the V-hooks and mounting surface.

****NOTE:** Purple and pink lead inside the driver compartment are 0-10V (low voltage) dimming leads. Connect to dimming low voltage wiring only.

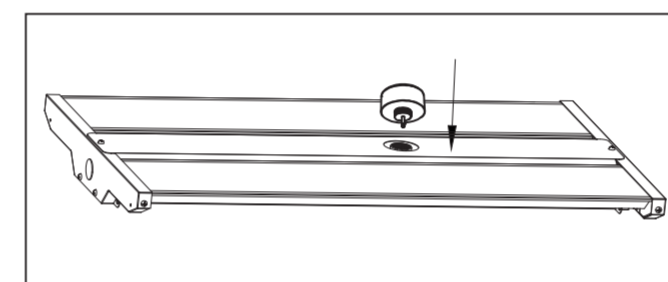
• Clean all residues/fingerprints from the new LED high bay and lens. Double check all hanging hardware before moving onto the next installation.

With Motion Sensor-Install sensor (Optional)

1. Remove the sensor base cover.



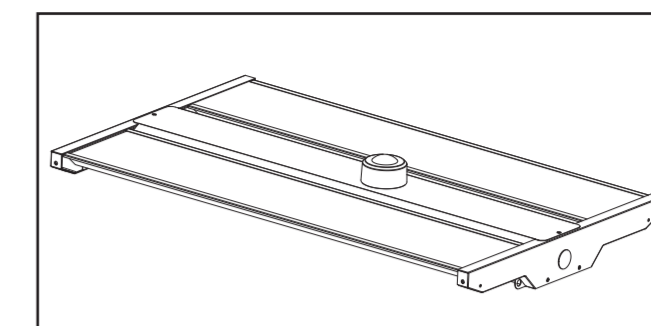
2. Install the sensor. (C)



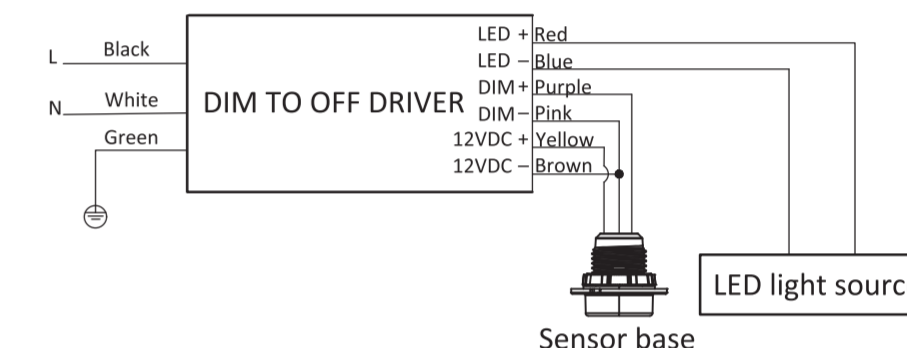
5

INSTALLATION INSTRUCTION

3. The installation is completed.



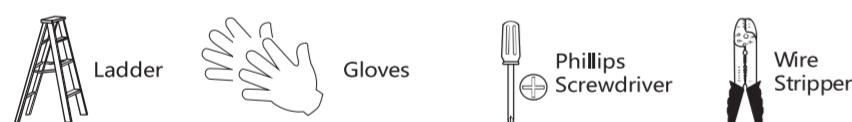
General Wiring Diagram



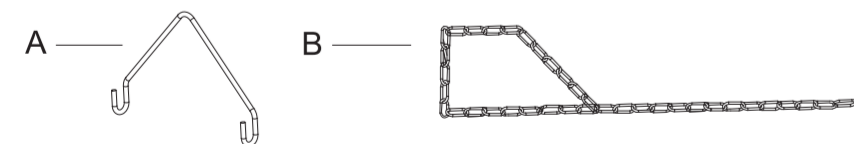
6

TOOLS REQUIRED

NOTE: Keep your receipt and these instructions for Proof of Purchase.



PACKAGE CONTENT



C (Optional)

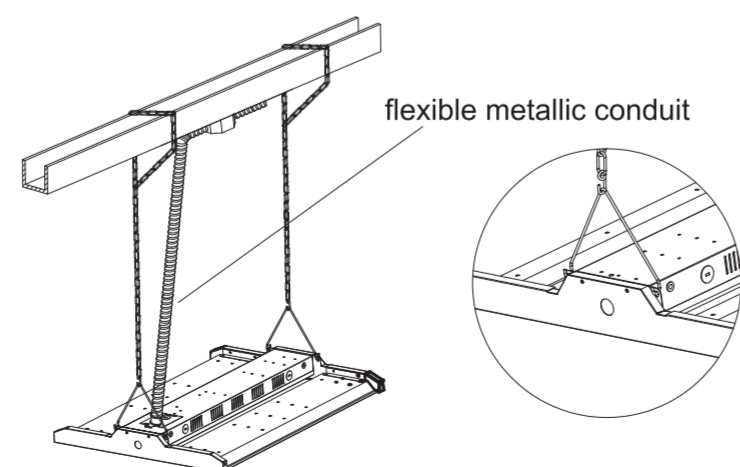
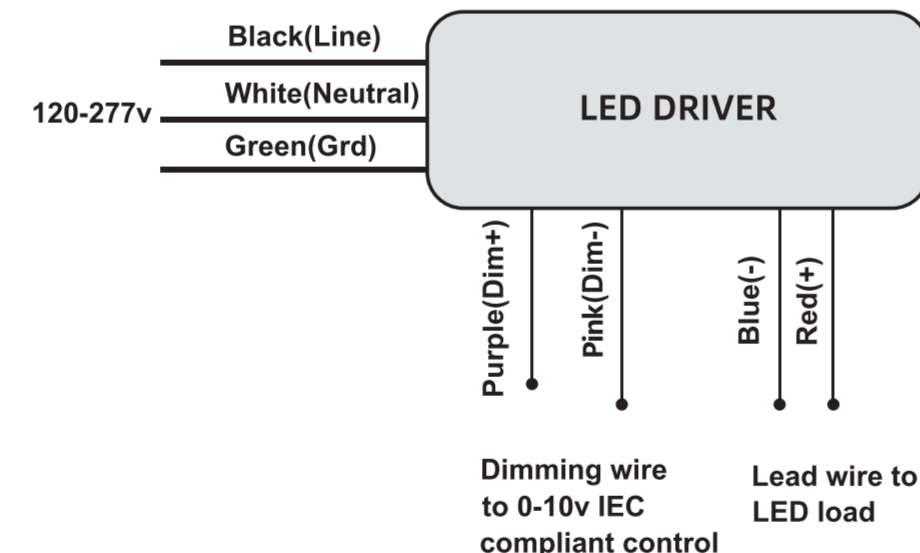


	PARTS	pcs
A	vhook	2
B	chain	2
C	Motion Sensor	1
D	LED fixture	1

3

INSTALLATION INSTRUCTION

General Wiring Diagram



4

WARRANTY

This product is warranted for 5 years from the date of purchase

7