

# MFL-30-40-50W-3CCT

## 3CCT & WATTAGE ADJUSTABLE FLOOD LIGHT

Project Name:	Order Number:	Prepare by:	Note:	Date:	Type:

**30-40-50 WATTS**

The **MFL-30-40-50W-3CCT** series

This unique rectangular octagonal designed LED flood light fixture is build with high quality standard. The 3CCT technology allows you the choose the color temperature from warm white, cool white and daylight. This high quality flood light also save the energy cost for you with the 3 level wattage adjustable feature. It come with a heavy duty die-cast aluminum housing and professional optical lens. With the good heating dissipation and high waterproof rate, this fixture is robust and perfect for both industrial and commercial usage.

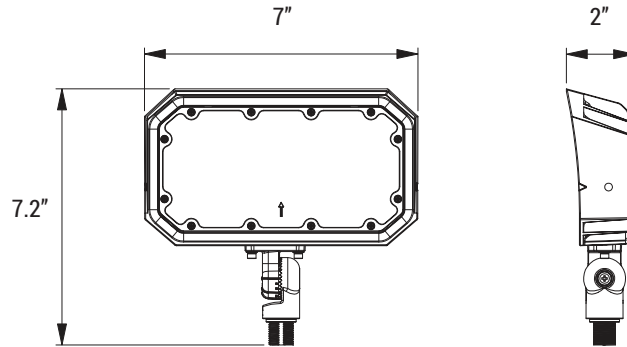


Select color temperature from

- 3000K **NATURAL WHITE**
- 4000K **COOL WHITE**
- 5000K **DAYLIGHT**



### DIMENSION



### TECHNICAL SUMMARY

LUMENS	WATTS	EFFICACY	CRI	VOLTAGE	BEAM °	CCT	PF	LIFE	OPERATING TEMP.
3900 5200 6500	30W 40W 50W	130 lm/W	80	120V, 277V	140	3000K 4000K 5000K	>0.9	50,000 hrs	-29°F ~ 129°F

### PART NUMBER ORDERING SUMMARY

# MFL-30-40-50W-3CCT

**FLOOD LIGHT**  
MW Lighting

**30-40-50W**  
Selectable Wattage

**3000K-4000K-5000K**  
Selectable CCT

# MFL-30-40-50W-3CCT



3CCT & WATTAGE ADJUSTABLE FLOOD LIGHT

Project Name:	Order Number:	Prepare by:	Note:	Date:	Type:

## CONSTRUCTION

Unit includes heavy duty die-cast aluminum housing, LED array, heat sink, lens and mounting kit.

## OPTICS

- Efficiency LED array
- CRI 80+

## DRIVER

- 120-277V universal input voltage.
- 0-10V smooth flicker free dimmable.

## MOUNTING

U-bracket mount and knuckle mount, both mounting included in the package

## LISTING

- DLC listed.
- UL certified.
- EMI/RFI emissions per FCC 47CFR Part 15B.
- RoHS compliant, contains no mercury or lead.
- Suitable for wet locations.

## WARRANTY

5 years manufacturer warranty, consult [www.mwledlighting.com](http://www.mwledlighting.com) for more details.

\* Terms and conditions may apply.

\*5 years limited LED luminaire warranty to the original purchaser that the luminaire shall be free from defects in materials and workmanship from date of shipment, when under properly installed at normal conditions of use. The warranty may not cover physical damage or abuse under certain conditions.

