

# MHBAJ Series



## Linear High Bay

Project Name:	Order Number:	Prepare by:	Note:	Date:	Type:

### DESCRIPTION



Our linear high bay light is a cost-efficient solution and great replacement for metal halides, HID or CFL Bulbs. Upgrading to LED can save you money on your electricity bill, improve visibility, help you work safely, and enhance productivity.

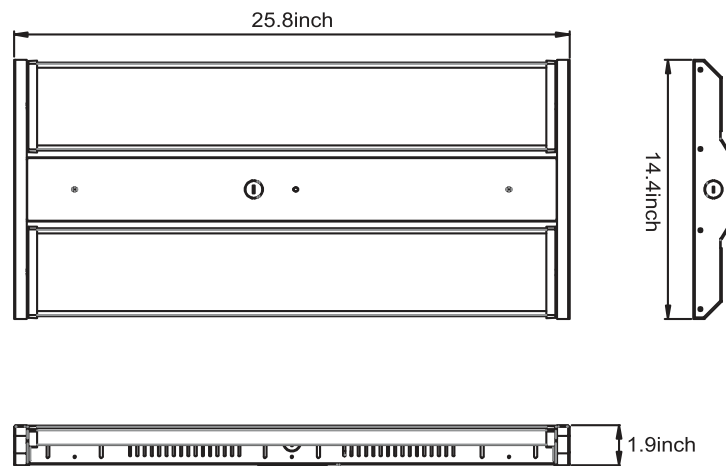
COLOR TEMPERATURE  
**5000K**  
 DAY LIGHT



### Product Information

Model No.	Product Name	Lumens	Watts	Efficacy	CRI	VOLTAGE	DIMMING	CCT	LIFE	OPERATING TEMP.
MHBAJ24-220W-50K	Adjustable Panel High Bay	29700lm	220W	135m/w	80+	120-277V	0-10V	5000K	>50,000hrs	-4°F ~ 104°F

### DIMENSIONS



**M H A J 2 4 220W - 50K**

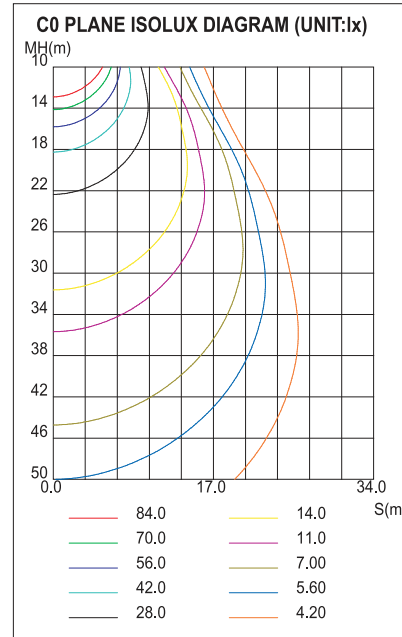
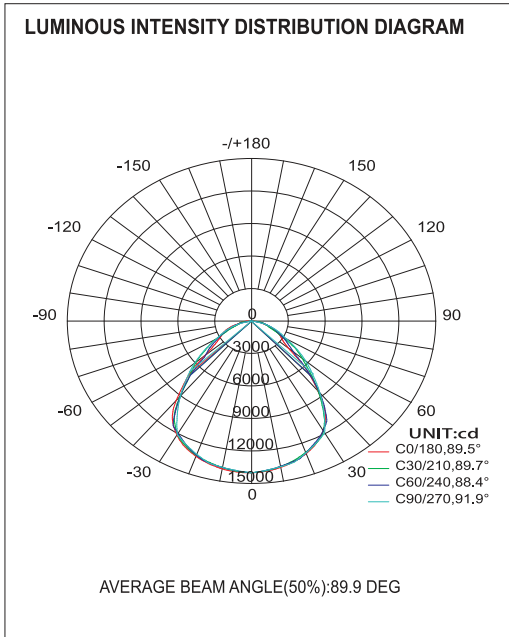
MW Light    HIGH BAY High Bay    ADJUSTABLE Type    2FT 2'    4 PCB PCB    220W Wattage    5000K CCT

# MHBAJ Series

## Linear High Bay

Project Name:	Order Number:	Prepare by:	Note:	Date:	Type:

### PHOTOMETRY



### TECHNICAL SUMMARY

#### CONSTRUCTION

- Unit includes heavy duty metal frame, LED array, heat sink, and lens.
- High quality frosted PC lens.
- Efficiency LED array.
- Diffuse for uniform illumination.
- CRI 80+

#### DRIVER

- 120-277V universal input voltage.
- 0-10V smooth flicker free dimmable.

#### MOUNTING

- Ceiling mounting.
- Pendant mount.

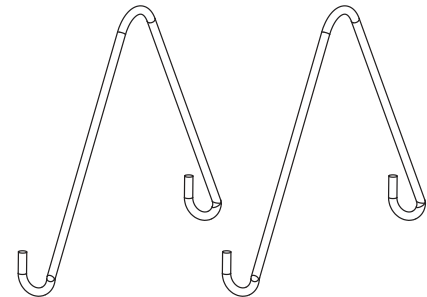
#### LISTING

- DLC Listed.
- UL 8750 LED equipment in lighting products.

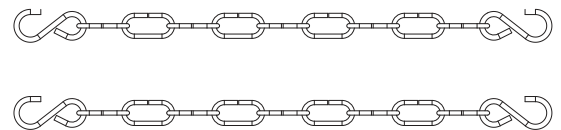
#### WARRANTY

- 5 years manufacturer warranty, consult factory for more details.
- Terms and conditions may apply.

#### Package Contents



**Suspending Hook**



**Hanging Chain**

# MHBAJ Series

## Linear High Bay

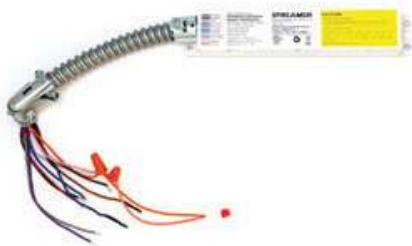


Project Name:	Order Number:	Prepare by:	Note:	Date:	Type:

### FEATURES



### ACCESSORIES



#### MHV-8W-EM

- Input Voltage 120-277V
- 8W Output
- Output Voltage 150-200Vdc



#### MHV-25W-EM

- Input Voltage 120-347V
- 25W Output
- Output Voltage  $\leq$  175Vdc



#### MBRI1819-B-O

120-277V On/Off Passive Infrared Occupancy Sensor



#### MBRI1819-B-D

Bi-level passive infrared Occupancy Sensor