

MHCD Series

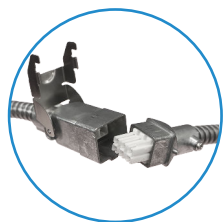
High Lumen Commercial Downlight



Project Name:	Order Number:	Prepare by:	Note:	Date:	Type:

DESCRIPTION

Introducing our Modular Commercial Downlight, a blend of style and innovation. Its light module and reflector module design offer flexibility and efficiency. With aluminum heatsink light modules and can-less installation, it's both sleek and practical. Designed for wet locations and air-tight for superior performance. Adjust the beam angle from 24 to 45 degrees and choose from 5 CCT options for personalized lighting. UGR<19 and 30-degree cut-off minimize glare. High CRI of 90 ensures true color representation. Select from 3 lumen outputs, and enjoy universal voltage input and 0-10V dimming. Experience quiet illumination with noise levels below 24dB. Elevate your space with our versatile Modular Commercial Downlight.



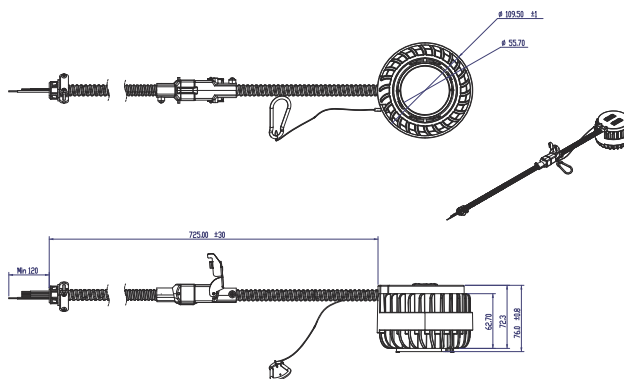
- Select color temperature from
- 2700K WARM WHITE
 - 3000K SOFT WHITE
 - 3500K NATURAL WHITE
 - 4000K COOL WHITE
 - 5000K DAYLIGHT



Product Information

Model No.	Product Name	Lumens	Watts	Efficacy	CRI	VOLTAGE	DIMMING	CCT	LIFE
MHCD-20/25/30w-5CCT	Commercial down light module	1500/1800/2100LM	20/25/30W	75/72/70m/w	90	120-277V	0-10V	27/30/35/40/50K	>50,000hrs
MHCD-32/42/55W-35K	Commercial down light module	3000/4000/5000LM	32/42/55W	94/95/91lm/w	90	120-277V	0-10V	3500K	>50,000hrs
MHCD-4-HZ/WH	4" reflector	N/A	N/A	N/A	N/A	N/A	N/A	N/A	N/A
MHCD-6-HZ/WH	6" reflector	N/A	N/A	N/A	N/A	N/A	N/A	N/A	N/A
MHCD-8-HZ/WH	8" reflector	N/A	N/A	N/A	N/A	N/A	N/A	N/A	N/A
MHCD-10-HZ/WH	10" reflector	N/A	N/A	N/A	N/A	N/A	N/A	N/A	N/A

DIMENSIONS



M H CD - 20/25/30W - 5CCT

MW
MW Light

HIGH LUMEN
Lumen

CD
Commercial Downlight

20/25/30W
Wattage

5CCT
27K/30K/35K/40K/50K



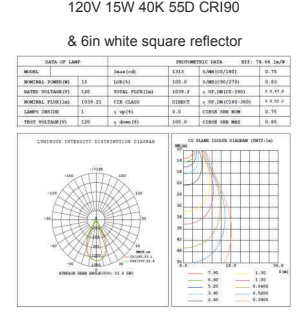
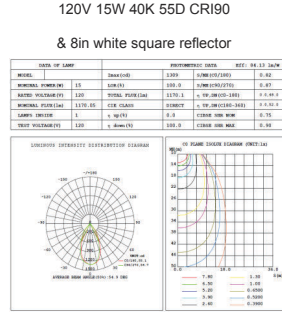
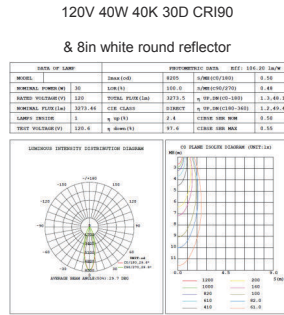
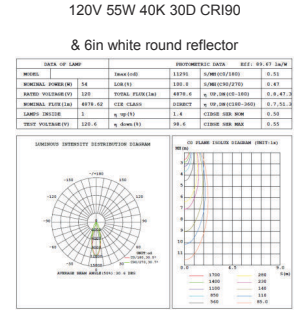
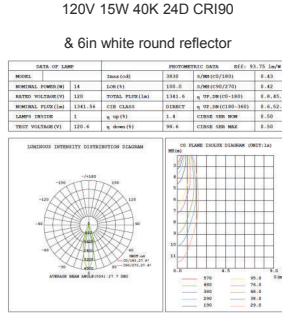
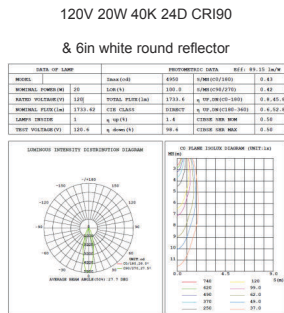
MHCD Series

High Lumen Commercial Downlight



Project Name:	Order Number:	Prepare by:	Note:	Date:	Type:

PHOTOMETRY



TECHNICAL SUMMARY

CONSTRUCTION

- Select color temperature from 2700k warm white, 3000k soft white, 3500k natural white, 4000k cool white, or 5000k daylight for your environment.
- M40 (40W Max) small & M60 (60W Max) big module
- Die-casting aluminum heatsink light modules
- Spinning aluminum round reflectors
- Round 4/6/8/10in square and 4/6/8/10in reflector
- Housing less design with spring-action housing clips
- 26in flexible conduit/whip with knockout quick connector
- Aircraft design to support second drop protection
- Wet location, Air-tight for round reflector
- Semi specular/white/ Semi specular white finish

OPTICAL SYSTEM

- 24-45D beam angle selection by twisting lens
- Using Samsung & Bridgelux IP COB LED
- 5CCT selection 2700K/3000K/3500K/4000K/5000K
- UGR<19, 30D cut off to decrease glare lighting
- Polycarbonate(PC) material Lens
- Super lighting consistency
- Min. 80 or 90 color rendering index (CRI)
- Saving energy cost: up to 75-110lm/w

INSTALLATION

- Retrofit or New Construction recessed mount
- Hotel, healthcare, meeting room and so on
- IC-rated for 1,500 or 2600lm, Non IC for others
- Operating temp.: -25 C to +40 C (13 F to 104 F)
- Suitable for wet locations
- 5 year limited warranty
- Listed to UL 1598 & UL 1598C
- Energy Star listed
- FCC part 15 Class B
- CA Title 24 Compliant: JA8-2022(-E)

ELECTRICAL

- Integrated class 2 isolated low voltage driver
- 3 lumens output selectable by DIP switch
- 120-277V or 120 347V AC Voltage @ 50/60Hz
- 0-10V Dim o□, 5 100% smooth dimming
- Power factor(PF): > 0.95
- Total harmonic distortion(THD): <20%
- Calculated Life >50k hours @L70
- Low noise <24dB, Meet ES class A
- Optional emergency battery backup field installed

RECOMMENDED DIMMERS

- LITHONIA LIGHTING**
 - ISD BC 120/277 WH
- COOPER**
 - SF10P-W
- LUTRON**
 - DVSTV-WH
- LEVITON**
 - IP710-DLZ



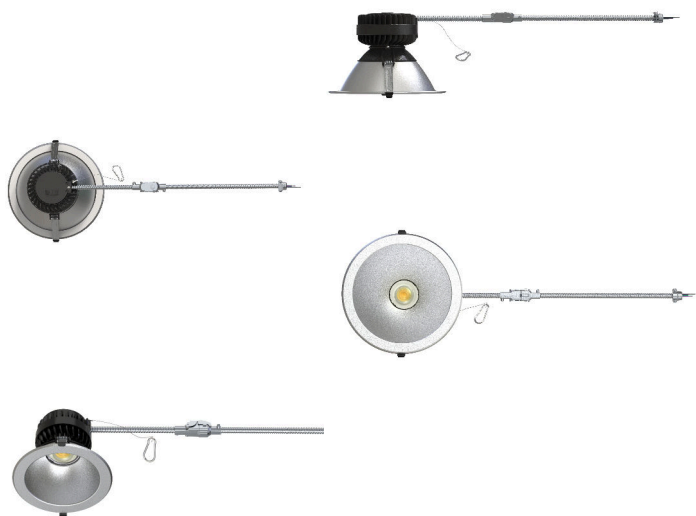
MHCD Series

High Lumen Commercial Downlight



Project Name:	Order Number:	Prepare by:	Note:	Date:	Type:

FEATURES



Light Modules



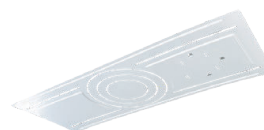
4/6/8/10in Round Reflector

ACCESSORIES



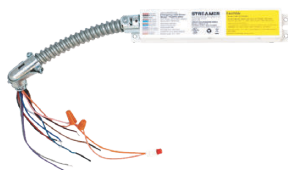
MRSDMP-346

Mounting plate for 3"/4"/6"
can-less downlight



MRSDMP-468

Mounting plate for 4"/6"/8"
can-less downlight



MHV-8W-EM

Emergency Driver and
Battery Back-up



MHV-25W-EM

High Output Voltage Emer
gency Driver and Battery
Back-up