

# METLWRAP Series



## 4 FT Wide Wraparound

|               |               |             |       |       |       |
|---------------|---------------|-------------|-------|-------|-------|
| Project Name: | Order Number: | Prepare by: | Note: | Date: | Type: |
|               |               |             |       |       |       |

### DESCRIPTION



The METLWRAP07-34/44/54-3CCT Series. These LED Wrap light fixtures are excellent for general utility applications like garage, warehouse, offices, storage units, stairwall. Color temperature can be switch to 3500k neutral white, 4000k cool white and 5000k daylight. The input wattage can be adjustable to 3 different level that helps you to save energy cost. With the ultra thin design they are perfect for applications with shallow drop ceilings. These fixtures are DLC and UL Certified. They are popular in office, warehouse, public area and other commercial area.



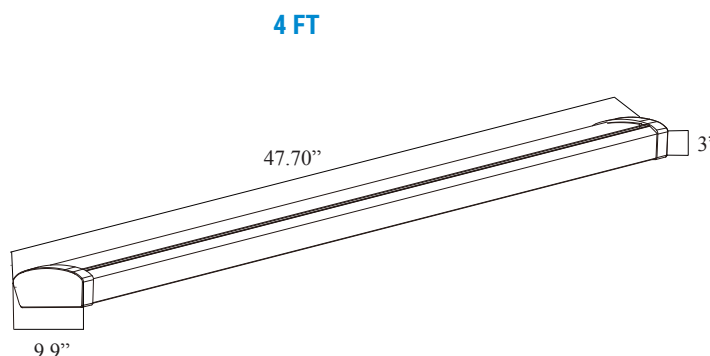
- Select color temperature from
- 3500K NATURAL WHITE
  - 4000K COOL WHITE
  - 5000K DAYLIGHT



### Product Information

| Model No.                | Product Name         | Lumens                     | Watts             | Efficacy                      | CRI | VOLTAGE       | DIMMING | CCT  | LIFE       | OPERATING TEMP. |
|--------------------------|----------------------|----------------------------|-------------------|-------------------------------|-----|---------------|---------|------|------------|-----------------|
| METLWRAP07-34/44/54-3CCT | 4 FT Wide Wraparound | 4114LM<br>5192LM<br>6210LM | 34W<br>44W<br>54W | 121lm/w<br>118lm/w<br>115lm/w | 80+ | 120V,<br>277V | TRIAC   | 3CCT | >50,000hrs | -4°F ~ 104°F    |

### DIMENSIONS



## METLWRAP07-34-44-54W-3CCT

**WRAPAROUND**  
MW Lighting

**34-44-54W**  
Selectable Wattage

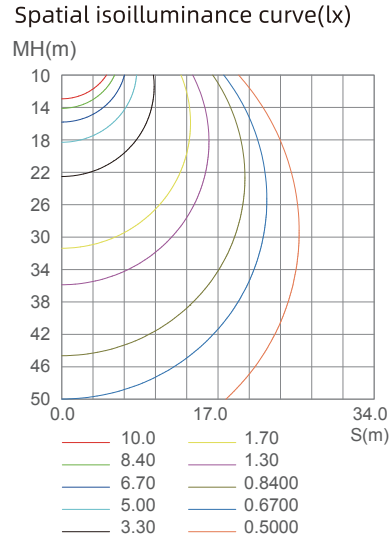
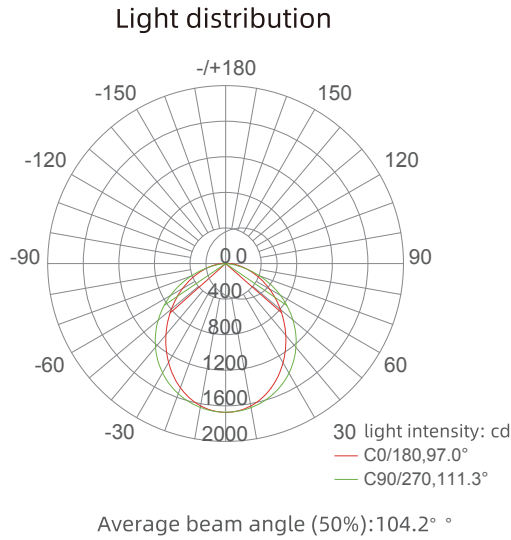
**3500K-4000K-5000K**  
Selectable CCT

# METLWRAP Series

## 4 FT Wide Wraparound

| Project Name: | Order Number: | Prepare by: | Note: | Date: | Type: |
|---------------|---------------|-------------|-------|-------|-------|
|               |               |             |       |       |       |

### PHOTOMETRY



### TECHNICAL SUMMARY

#### CONSTRUCTION

- Unit includes heavy duty metal frame, LED array, heat sink, and lens.
- High quality PC lens.
- Efficiency LED array.
- Diffuse for uniform illumination.
- CRI 80+.

#### DRIVER

- 120-277V universal input voltage.
- 0-10V smooth flicker free dimmable.

#### MOUNTING

- Surface mounting.

#### LISTING

- DLC Listed.
- UL 8750 LED equipment in Lighting Products.

#### WARRANTY

- 5 years manufacturer warranty, consult factory for more details.
- Terms and conditions may apply.

#### ACCESSORIES (SOLD SEPARATELY)



##### MHV-8W-EM

- Input Voltage 120-277V
- 8W Output
- Output Voltage 150-200Vdc



##### MHV-25W-EM

- Input Voltage 120-347V
- 25W Output
- Output Voltage ≤ 175Vdc

#### OCCUPANCY SENSORS (SOLD SEPARATELY)



##### MBRI819-B-0

120-277v On/off Passive Infrared Occupancy Sensor



##### MBRI819-B-D

Bi-level passive infrared Occupancy sensor