

# LJC Series

## LED Satin Archaize Landscape Pathway Light

Project Name:	Order Number:	Prepare by:	Note:	Date:	Type:

### DESCRIPTION



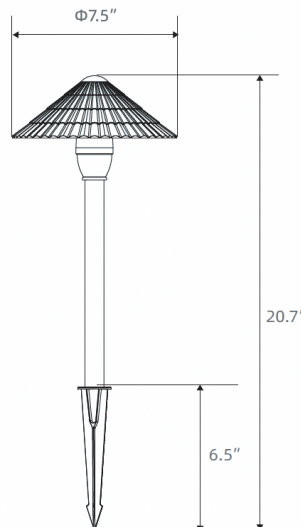
This LED Landscape Pathway Lighting is easy to connect , no worrying about fire hazard; AC/DC 12V low output voltage, safe for surrounding children or pets. Rugged aluminum housing with corrosion resistance & heat dissipation. Wet location waterproof performance, best choice for outdoor wet locations, resistant to damage of heavy rains. With 40,000hrs long lifespan and backed by a 5-year warranty, these landscape lights can be connected several packs of the products or other kinds of lawn lamps, satisfy more requirements.



### Product Information

Model No.	Product Name	Lumens	Watts	Efficacy	CRI	VOLTAGE	DIMMING	CCT	LIFE	OPERATING TEMP.
LIC-GPLS-03271-11	Satin Archaize Landscape Light	120LM	3W	N/A	90	12-24VAC/DC	N	2700K	N/A	N/A

### DIMENSIONS



# LJC Series

## LED Satin Archaize Landscape Pathway Light



Project Name:	Order Number:	Prepare by:	Note:	Date:	Type:

### PHOTOMETRY

