

MLS-GPLX-11

LED Landscape Spotlight



Project Name:	Order Number:	Prepare by:	Note:	Date:	Type:

DESCRIPTION



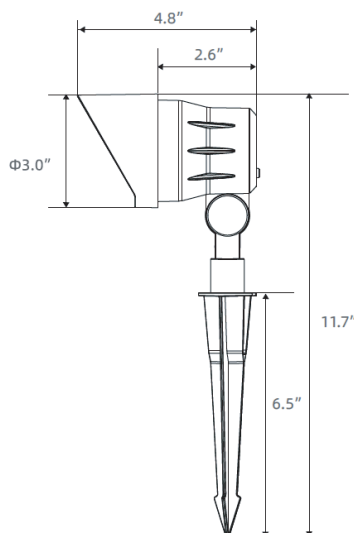
This LED Landscape Lighting is solution for Outdoor lighting, Garden and Park. 9 LED chips and the upgraded lens brings sufficient brightness without glare. The high CRI of 90+ lets this low voltage garden lights bring out the natural color of objects. Rugged aluminum housing with corrosion resistance & heat dissipation. IP65 rating brings better waterproof performance, best choice for outdoor wet locations, resistant to damage of heavy rains. With 40,000hrs long lifespan and backed by a 5-year warranty, these landscaping spot lights can be connected several packs of the products or other kinds of lawn lamps, satisfy more requirements.



Product Information

Model No.	Product Name	Lumens	Watts	Efficacy	CRI	VOLTAGE	DIMMING	CCT	LIFE	OPERATING TEMP.
MLS-GPLX-11	LED Landscape Spotlight	164LM	4W	N/A	90	12-24VAC/DC	N	2700K	N/A	N/A

DIMENSIONS



MLS-GPLX-11

LED Landscape Spotlight

Project Name:	Order Number:	Prepare by:	Note:	Date:	Type:

PHOTOMETRY

