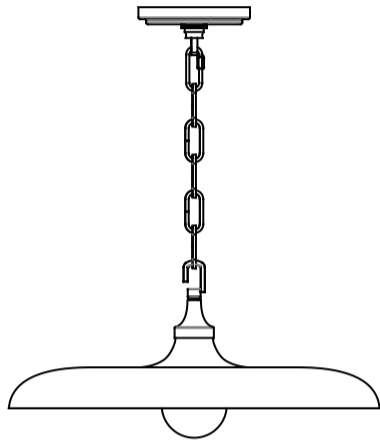


Item:

RB-PL-0007-B

1-LIGHT MATTE BLACK PENDANT WITH METAL SHADE



1

SAFETY INFORMATION

WARNING: Read all safety precautions and installation instructions carefully before installing or servicing this fixture. Failure to comply with these instructions could result in a potentially fatal electric shock, fire, and/or property damage.

IMPORTANT: lisez attentivement toutes les précautions de sécurité et les installations avant d'installer ou de réparer ce luminaire. Le non respect de ces instructions peut entraîner un choc électrique et / ou des dégâts matériels potentiellement fatals.

•To reduce the risk of electrical shock or other personal injury which could be hazardous or fatal, ensure the power is turned OFF at the fuse or breaker box before making any electrical connections or removing the old fixture.

•Changes or modifications not expressly approved by the party responsible for compliance could void the user's authority to operate the equipment.

•Must be connected to 120 volt, 60 Hz power source.

•Fixture may be directly mounted to the ceiling.

•NOT suitable for ground locations.

•Fixture should be installed by a qualified electrician or person experienced with household wiring. The electrical system, and method of electrical connection of the fixture, must be in accordance with the National Electrical Code and local building codes.

NOT INTENDED FOR USE WITH EMERGENCY EXITS! NOT SUITABLE FOR WET LOCATIONS! CONSULT A QUALIFIED

ELECTRICIAN TO ENSURE CORRECT BRANCH CIRCUIT CONDUCTOR! MINIMUM 75° C SUPPLY CONDUCTORS!

NON PRÉVU POUR UNE UTILISATION AVEC DES SORTIES D'URGENCE! NON ADAPTÉ AUX LIEUX MOUILLÉS!

CONSULTER UN ÉLECTRICIEN QUALIFIÉ POUR ASSURER UN CONDUCTEUR DE CIRCUIT DE BRANCHE APPROPRIÉ!

CONDUCTEURS D'ALIMENTATION MINIMUM DE 75° C!

TOOLS REQUIRED (Not Included)(Cont.)



NOTE: Keep your receipt and these instructions for Proof of Purchase.



Ladder



Gloves



Phillips Screwdriver



Wire Stripper

SPECIFICATIONS

PARTS Note:Some parts (A & B) have been partially pre-assembled			HARDWARE			
A- Pendant Chain(1)	B- Light Fixture (1)	G- Mounting Bar (1)	C- Bulb (1) (not included)	D- Nipple (1)	E- Screws (2)	F- Nuts (2)
		H- Wire Nuts (3)				

2

INSTALLATION

CAUTION: Before beginning installation turn off the circuit breaker and light switch.

STEP 1: Carefully remove Parts A & B and hardware from the package.

STEP 2: Screw the loop of the pendant chain (Part A) onto the nipple of the light fixture (Part B). (Figure 1)

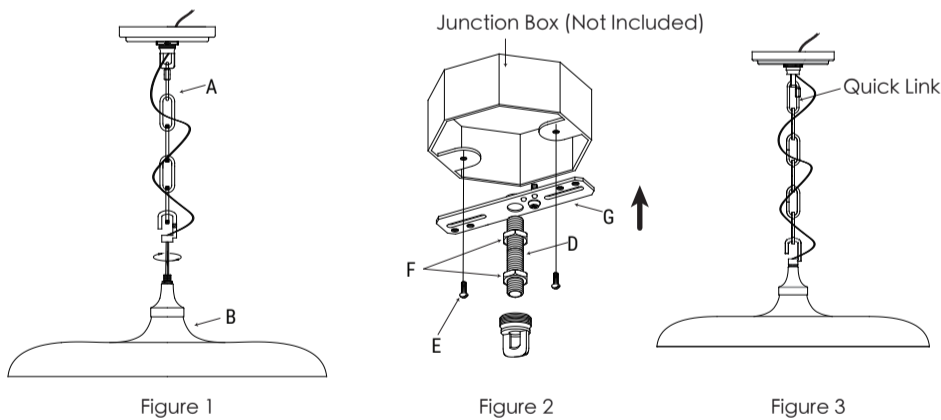


Figure 1

Figure 2

Figure 3

STEP 3: Fix the two nuts (Part F) and nipple (Part D) into the mounting bar (Part G). Fix the mounting bar (Part G) to the junction box (not included) and secure using two screws (Part E). (Figure 2)

STEP 4: To adjust the height of the light that you need. Please open the quick link first, and hang the quick link to the chain link of the corresponding height, then straighten or cut the extra wires. (Figure 3)

STEP 5: Connect the AC wires of the pendant chain (Part A) to the corresponding wires in the junction box and secure using wire nuts (Part H), then secure ceiling plate of Part A to the junction box using screw collar. (Figure 4)

The neutral supply wire (white) should be connected to the neutral fixture wire (black with raised area), the line supply wire (black) should be connected to the line fixture wire (Black, no raised area) and house ground to the copper fixture wire.

RECOMMENDED: Wrap with each wire nut with electrical tape (not included).

STEP 6: Screw 1 bulb (Parts C) (not included) into the socket of the light fixture (Part B). (Figure 5)

STEP 7: Restore power to the fuse box and turn light switch on to activate the fixture.

3

INSTALLATION

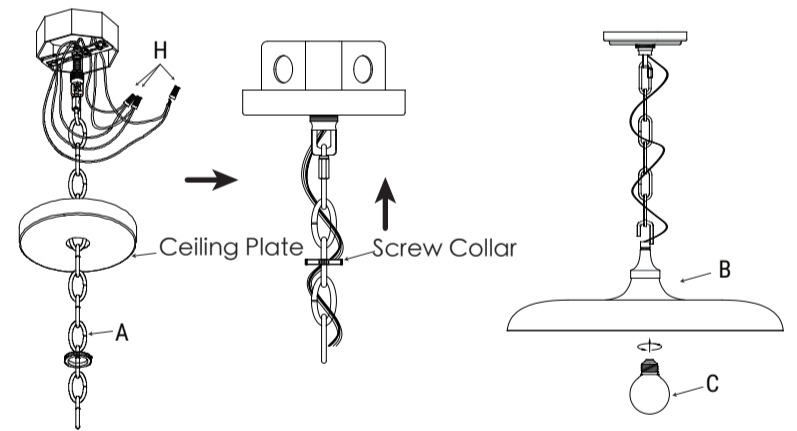


Figure 4

Figure 5

TROUBLE SHOOTING

PROBLEM	POSSIBLE CAUSE	SOLUTION
Light will not come on.	A. Light switch is turned off. B. Fuse is blown or circuit breaker is turned off. C. Incorrect circuit wiring. D. Defective switch. E. Bulbs are not properly seated.	A. Turn light switch on. B. Replace fuse or turn circuit breaker on. C. Verify that fixture is wired properly. D. Test or replace the switch. E. Make sure bulbs are completely screwed into E12 base.
The fuse blows or circuit breaker trips when the light is turned on.	The wires are crossed or the power wire is grounded out.	Check the wiring connections.

WARNING

This product is warranted for 5 years from the date of purchase. If this product does not perform to the specifications supplied on this package, send an email to us for product return and replacement. This replacement is the sole remedy available. Liability for incidental or consequential damage is expressly excluded.

4