

LED UFO NSF-RATED HIGH BAY LIGHT FIXTURE

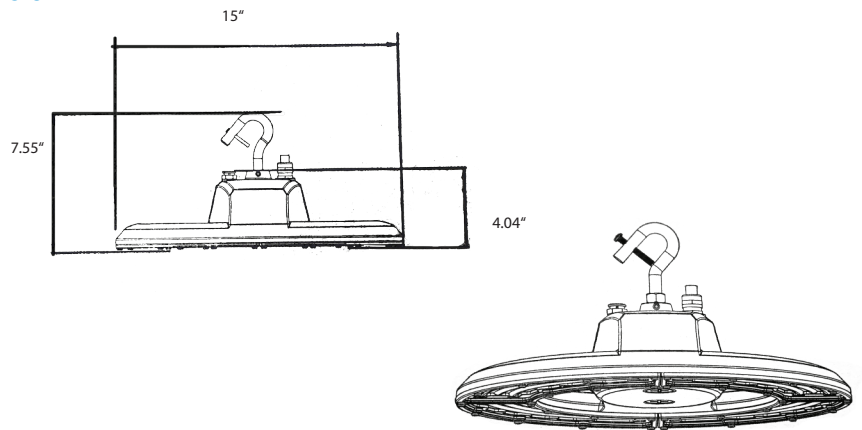
Project Name:	Order Number:	Prepare by:	Note:	Date:	Type:

The **MNUHB** series, designed for food processing applications, features a durable aluminum alloy body with a black anti-corrosion coating. This UFO high bay fixture includes an active cooling heatsink for high thermal conduction and a non-flicker, anti-glare PC lens. It has an IP69k rating for dust and water resistance and rating for high-temperature, high-pressure water protection. Operating on AC120-277V, it is 0-10V dimmable and offers a color temperature of 5000K with selectable wattages of 100W, 150W, and 200W, delivering 150 lumens per watt. The product is UL, NSF, and FCC certified, and comes with a 5-year warranty.



• 5000K DAYLIGHT

DIMENSION



TECHNICAL SUMMARY

MODEL NO.	WATTS	LUMENS	CCT	VOLTAGE	DIMMING	CRI	CERTIFICATION
MNUHB-100/125/150-50K	100/125/150W	15000/22500/30000LM	50K	AC120-277V	0-10V	80	IP69K/FCC/UL/NSF

PART NUMBER ORDERING SUMMARY

MNUHB-100/150/200-50K-WH

LED ROUND HIGH BAY
MW Lighting

100/150,200
Selectable Wattage

5000K
CCT

WHITE
Color



LED UFO NSF-RATED HIGH BAY LIGHT FIXTURE

Project Name:	Order Number:	Prepare by:	Note:	Date:	Type:

CONSTRUCTION

- Unit includes heavy duty metal frame, LED array, heat sink, hanger, security cable and high quality PC lens.

OPTICS

- Diffuse for uniform illumination.
- CRI 80

DRIVER

- 120 - 277V 60Hz universal input voltage
- 0 - 10v smooth flicker free dimming down to 5%

*5 years limited LED luminaire warranty to the original purchaser that the luminaire shall be free from defects in materials and workmanship from date of shipment, when under properly installed at normal conditions of use. The warranty may not cover physical damage or abuse under certain conditions.

MOUNTING

Pendant mount to the ceiling

LISTING

- FCC Listed
- UL 8750 LED equipment in Lighting Products

WARRANTY

5 years manufacturer warranty, consult www.mwledlighting.com for more details.

* Terms and conditions may apply.

HIGHLIGHT



ADVANCED HEAT DISSIPATION TECHNOLOGY

Aluminum alloy body coated with black/white anti-corrosion coating surface for better realize heat radiation and heat dissipation.

SURFACE WASHABLE

Surface designed for easy cleaning and no places for bacteria to hide.

ACCESSORIES (SOLD SEPARATELY)



Emergency Driver



Hanging Hook