

MWP-28W-50K



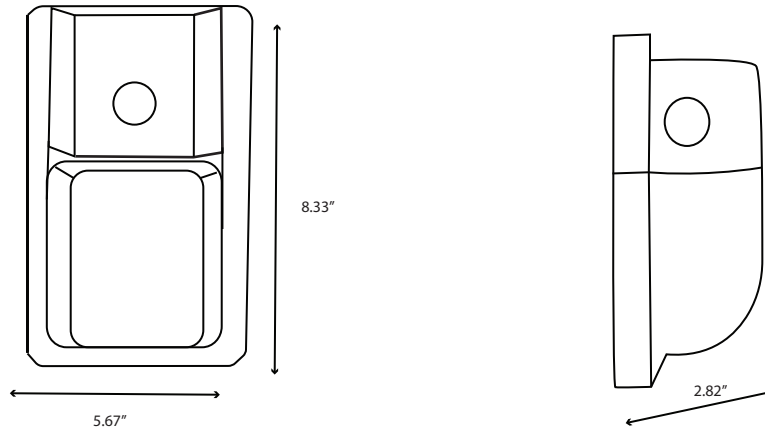
LED 28W Mini Wallpack

Project Name:	Order Number:	Prepare by:	Note:	Date:	Type:

This mini wallpack features an automated photocell that ensures the light turns on at sundown and off at sunrise, making it ideal for security lighting. Equipped with the latest high-performance LED chips, it delivers 3080 lumens with only 28 watts of power at 5000K daylight, providing an energy-efficient solution with a lifespan of over 50,000 hours, eliminating the need for bulb replacements. Constructed with die-cast aluminum and a clear lens, this water-resistant wall pack light is suitable for wet environments and remains unaffected by continuous exposure to moisture. It is UV-resistant, ensuring it maintains its color and effectiveness even after extended UV exposure. The fixture also boasts excellent heat dissipation thanks to its integral die-cast aluminum heat sink, promoting longevity. Designed for easy installation, it can be mounted on walls 6 to 8 feet high to any standard junction box. Backed by a 5-year warranty and certified by UL and FCC, this LED wall pack combines durability, efficiency, and high performance.



DIMENSION

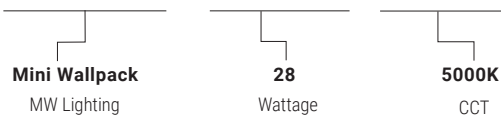


TECHNICAL SUMMARY

MODEL NO.	WATTS	LUMENS	CCT	VOLTAGE	DIMMING	CRI	CERTIFICATION
MWP-28W-50K	28W	3080L	50K	AC120-277V	0-10V	80	UL, FCC

PART NUMBER ORDERING SUMMARY

MWP-28W-50K



MWP-28W-50K



LEDS 28W Mini Wallpack

Project Name:	Order Number:	Prepare by:	Note:	Date:	Type:

CONSTRUCTION

- Unit includes heavy duty metal frame, LED array, heat sink, hanger, security cable and high quality PC lens.

OPTICS

- Diffuse for uniform illumination.
- CRI 80

DRIVER

- 120 - 277V 60Hz universal input voltage
- 0 - 10v smooth flicker free dimming down to 5%

MOUNTING

Mount to the wall

LISTING

- FCC Listed
- UL 8750 LED equipment in Lighting Products

WARRANTY

5 years manufacturer warranty, consult www.mwledlighting.com for more details.

* Terms and conditions may apply.

*5 years limited LED luminaire warranty to the original purchaser that the luminaire shall be free from defects in materials and workmanship from date of shipment, when under properly installed at normal conditions of use. The warranty may not cover physical damage or abuse under certain conditions.

HIGHLIGHT



Automated Dusk-to-Dawn Photocell

This outdoor lighting fixture automatically turns on at sundown and off at sunrise, perfect for security lighting.

Water Resistance

Constructed with die-cast aluminum housing and a clear lens, this LED wall pack is waterproof and can be installed in wet environments without negatively affecting its lifespan.