

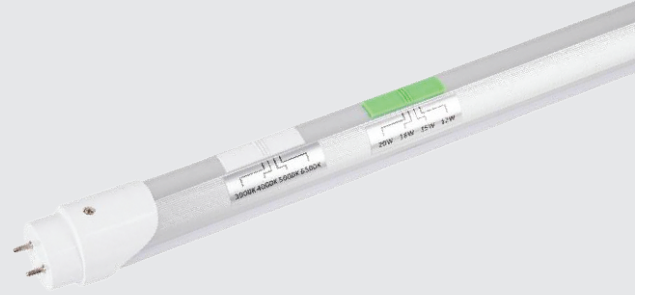
LED T8 TUBE SERIES



6CCT & 6 Wattage Tunnable LED T8 TUBE

Project Name:	Order Number:	Prepare by:	Note:	Date:	Type:

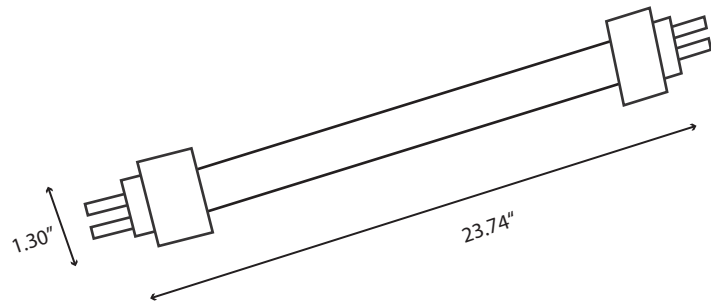
The LED T8 tube series offers an energy-efficient solution with just 6 watts of power consumption, featuring a versatile 6 CCT switch that allows users to select from six different color temperatures. Designed with a robust aluminum and polycarbonate construction, this tube ensures excellent heat dissipation and durability. Its multi-CCT feature reduces stock risk by eliminating the need for multiple SKUs, making it an economical choice for businesses. Installation is straightforward, and the tube is environmentally friendly, being free from mercury. With a 5-year warranty and a lifespan rated for 50,000 hours, this LED T8 tube is a reliable and long-lasting lighting solution..



Select color temperature from



DIMENSION



TECHNICAL SUMMARY

Lorem ipsum

MODEL NO.	WATTS	LUMENS	CCT	VOLTAGE	DIMMING	CRI	CERTIFICATION
MAPTzs-T8-10P2FT-FMM	5/6/7/8/9/10W	120-130LM	30/35/40/ 50/60/65K	100-277V	N/A	80+	ETL / RoHS
MAPTzs-T8-20P4FT-FMM	8/10/12/15/18/20W	120-130LM					
MAPTzs-T8-40P8FT-FMM	20/24/28/32/36/40W	120-130LM					

PART NUMBER ORDERING SUMMARY

MAPTzs-T8-10P2FT-FMM

LED T8 Tube Series
MW Lighting

10watts 2ft
Range

Flexible Mounting
Module



LED T8 TUBE SERIES



6CCT & 6 Wattage Tunnable LED T8 TUBE

Project Name:	Order Number:	Prepare by:	Note:	Date:	Type:

CONSTRUCTION

- Unit includes heavy duty metal frame, LED array, heat sink, hanger, security cable and high quality LED tube.

OPTICS

- Diffuse for uniform illumination.
- CRI 80+

DRIVER

- 100 - 277V 60Hz universal input voltage
- 0 - 10v smooth flicker free dimming down to 5%

MOUNTING

Ceiling and pendant mount

LISTING

- RoHS Listed
- ETL Verified

WARRANTY

5 years manufacturer warranty, consult www.mwledlighting.com for more details.

* Terms and conditions may apply.

*5 years limited LED luminaire warranty to the original purchaser that the luminaire shall be free from defects in materials and workmanship from date of shipment, when under properly installed at normal conditions of use. The warranty may not cover physical damage or abuse under certain conditions.

HIGHLIGHT



Wide Temperature Range

Operates effectively from -20C to 60C, making it suitable range of environments, including both very cold and hot conditions.



Environment Suitability

Designed to function well in both dry and damp conditions, which means it can handle humidity and moisture without performance issues.