

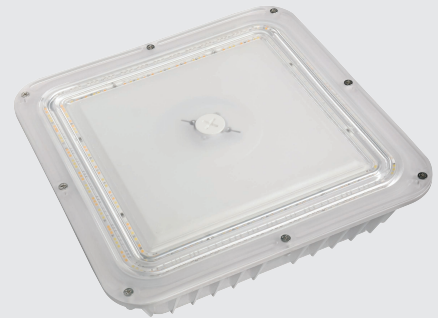
LJC-LGCL-8803-30-1



3 CCT & WATTAGE SELECTABLE LED GARAGE & CANOPY LIGHT

Project Name:	Order Number:	Prepare by:	Note:	Date:	Type:

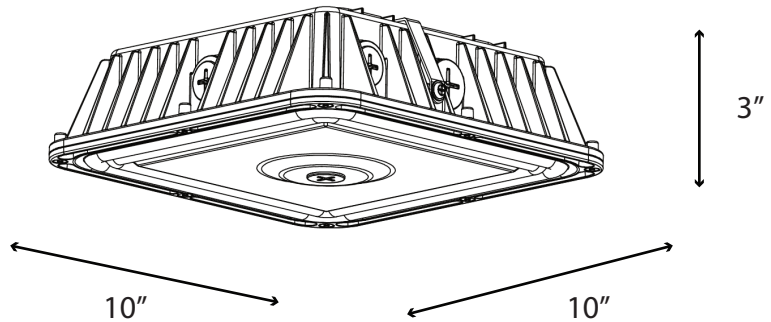
This 3 CCT and wattage selectable LED garage and canopy light features a non-flicker design with a white aluminum body and PC lens. It operates on AC 120-277V and is 0-10V dimmable. The color temperature is selectable between 3000K, 4000K, and 5000K, while the wattage can be adjusted to 60W, 70W, or 80W, providing selectable lumen outputs of 8400, 9800, or 11200 lumens. UL and FCC certified, this light comes with a 5-year warranty, ensuring reliable performance and safety.



- 3000K NATURAL WHITE
- 4000K COOL WHITE
- 5000K DAYLIGHT



DIMENSION



TECHNICAL SUMMARY

MODEL NO.	WATTS	LUMENS	CCT	VOLTAGE	DIMMING	CRI	CERTIFICATION
LJC-LGCL-8803-30-1	60/70/80W	8400/9800/11200LM	30/40/50K	AC120-277V	0-10V	80+	UL/ FCC

PART NUMBER ORDERING SUMMARY

LJC-LGCL-8803-30-1

LJC-LGCL-8803-30-1



3 CCT & WATTAGE SELECTABLE LED GARAGE & CANOPY LIGHT

Project Name:	Order Number:	Prepare by:	Note:	Date:	Type:

CONSTRUCTION

- Unit includes heavy duty metal frame, LED array, heat sink, hanger, security cable and high quality PC lens.

OPTICS

- Diffuse for uniform illumination.
- CRI 80+

DRIVER

- 120 - 277V 50-60Hz universal input voltage
- 0 - 10v smooth flicker free dimming down to 5%

MOUNTING

Pendant mount to the ceiling

LISTING

- UL Listed
- FCC certified

WARRANTY

5 years manufacturer warranty, consult www.mwledlighting.com for more details.

* Terms and conditions may apply.

*5 years limited LED luminaire warranty to the original purchaser that the luminaire shall be free from defects in materials and workmanship from date of shipment, when under properly installed at normal conditions of use. The warranty may not cover physical damage or abuse under certain conditions.

HIGHLIGHT



Non-Flicker Design

Provides smooth, flicker-free lighting for better visual comfort and reduced eye strain.

Durable Construction

White aluminium body with PC lens ensures long-lasting durability and excellent heat dissipation.