

**Item: HT-STW-4FT/277-8553-235D**

---

**4FT 3CCT & 3 WATTAGE SELECTABLE LED STAIRWELL LIGHT  
WITH MOTION SENSOR**



# SAFETY INSTRUCTION

## **WARNING**

- To reduce the risk of death, personal injury or property damage from fire, electric shock, falling parts, cuts/abrasions, and other hazards read all warnings and instructions included with and on the fixture box and all fixture labels.
- Before installing, servicing, or performing routine maintenance upon this equipment, follow these general precautions.
- Commercial installation, service and maintenance of luminaires should be performed by a qualified licensed electrician.
- For the installation: If you are unsure about the installation or maintenance of the luminaires, consult a qualified licensed electrician and check your local electrical code.
- To prevent wiring damage or abrasion, do not expose wiring to edges of sheet metal or other sharp objects.
- Do not make or alter any open holes in an enclosure of wiring or electrical components during kit installation.

## **WARNING**

- Turn off electrical power at fuse or circuit breaker box before wiring fixture to the power supply.
- Turn off the power when you perform any maintenance.
- Verify that supply voltage is correct by comparing it with the luminaire label information.
- All wiring connections should be capped with UL approved wire connectors.

## **CAUTION**

- Avoid direct eye exposure to the light source while it is on.
- Account for small parts and destroy packing material, as these may be hazardous to children.
- Risk of burn. Disconnect power and allow fixture to cool before changing bulb or handling fixture.

**NOTICE:** Green ground screw provided in proper location. Do not relocate.

**NOTICE:** Minimum 90°C supply conductors.

**NOTICE:** Specifications and dimensions subject to change without notice.

**NOTICE:** Suitable for Damp location.

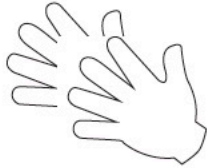
# TOOLS REQUIRED



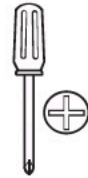
NOTE: Keep your receipt and these instructions for Proof of Purchase.



Ladder



Gloves

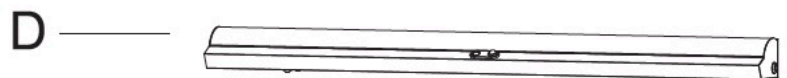
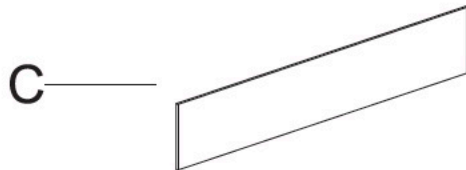


Phillips  
Screwdriver



Wire  
Stripper

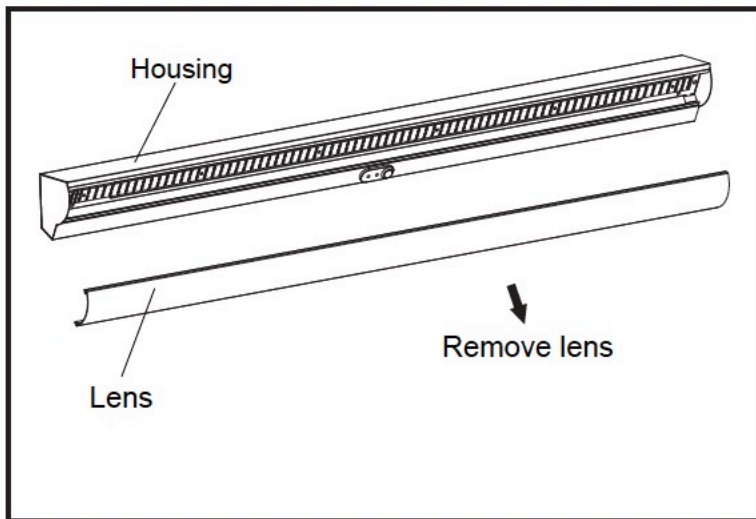
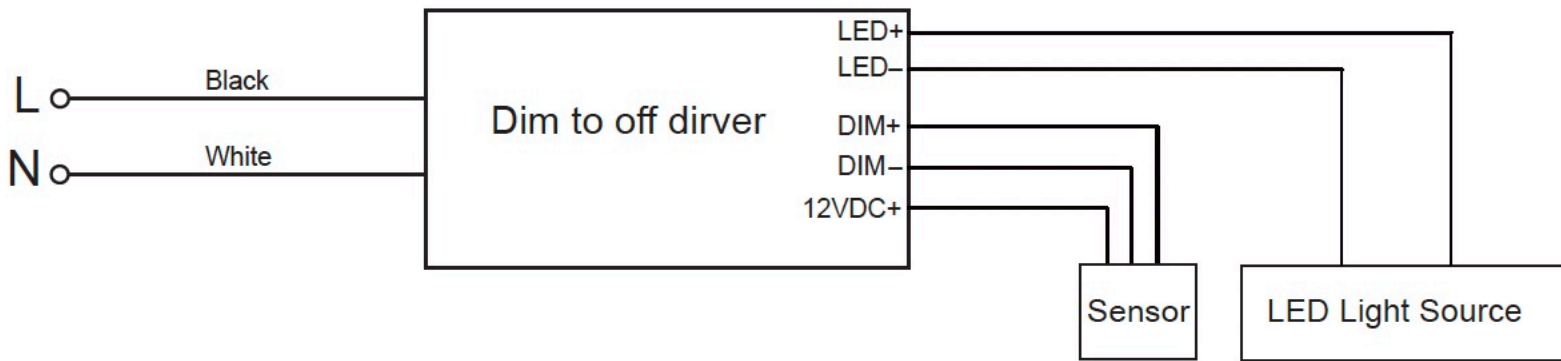
# PACKAGE CONTENT



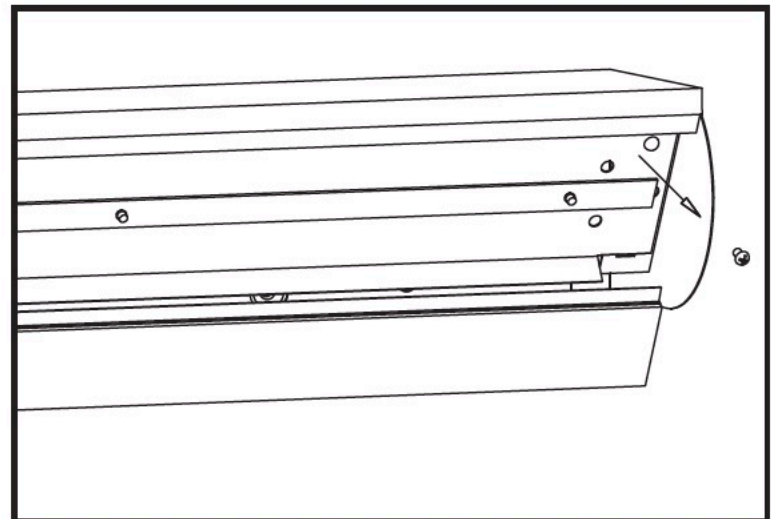
	PARTS	pcs
A	Mounting screws	4
B	Anchoring bolt	4
C	Positioning plate	1
D	LED fixture	1

# INSTALLATION INSTRUCTION

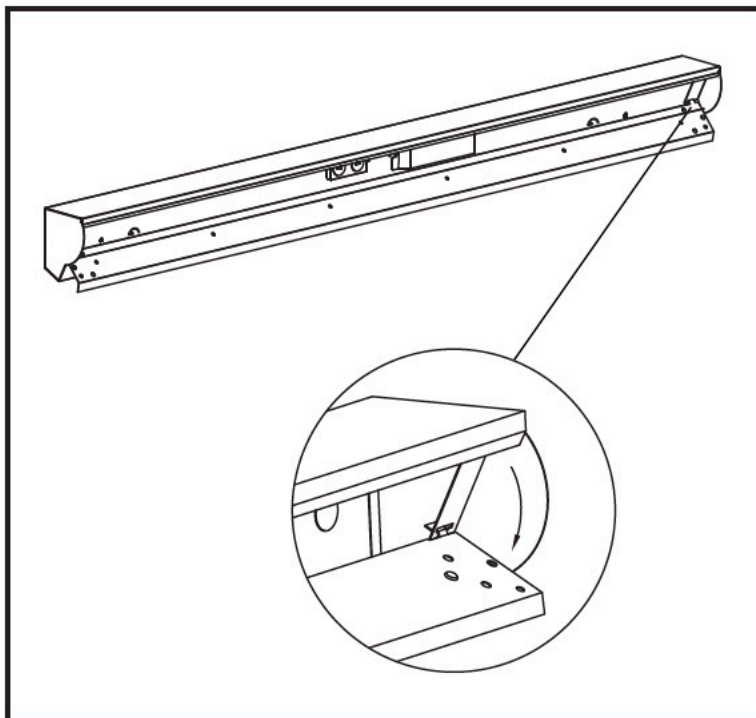
## General Wiring Diagram



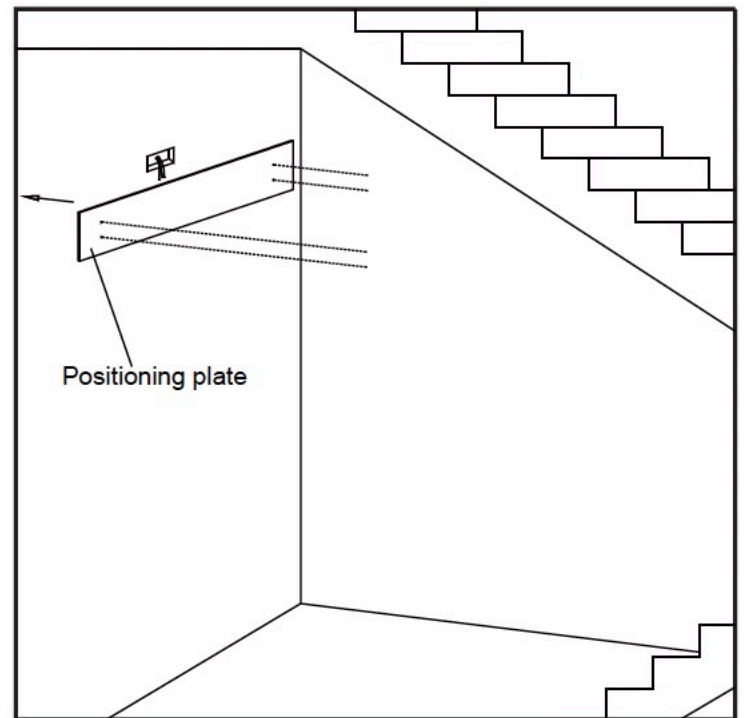
1. Remove the lens from the housing.



2. Loosen the two screws that hold the Module board.

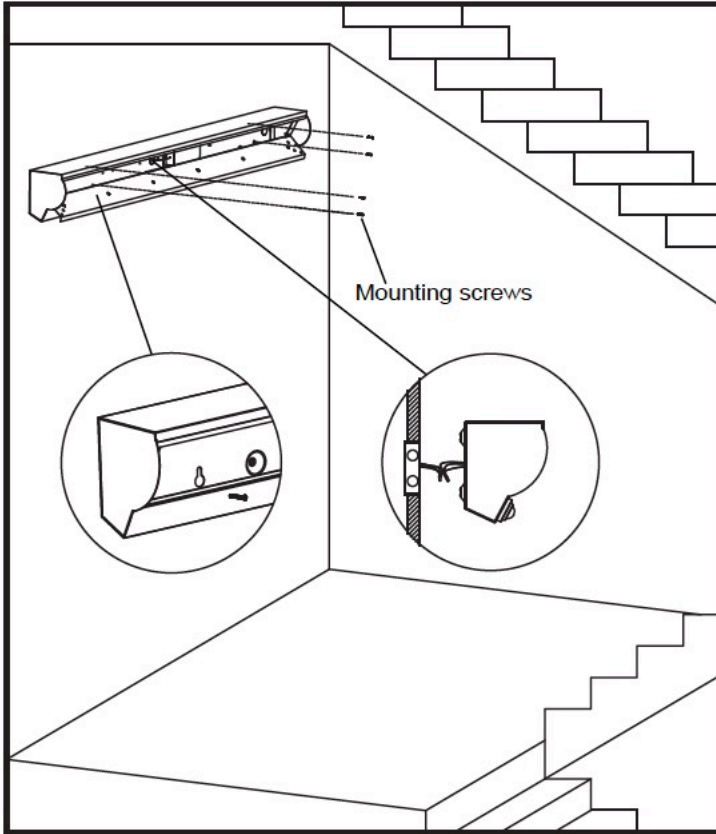


3. Flip the module board. Press one side of the module board to flip the module board to the appropriate position.

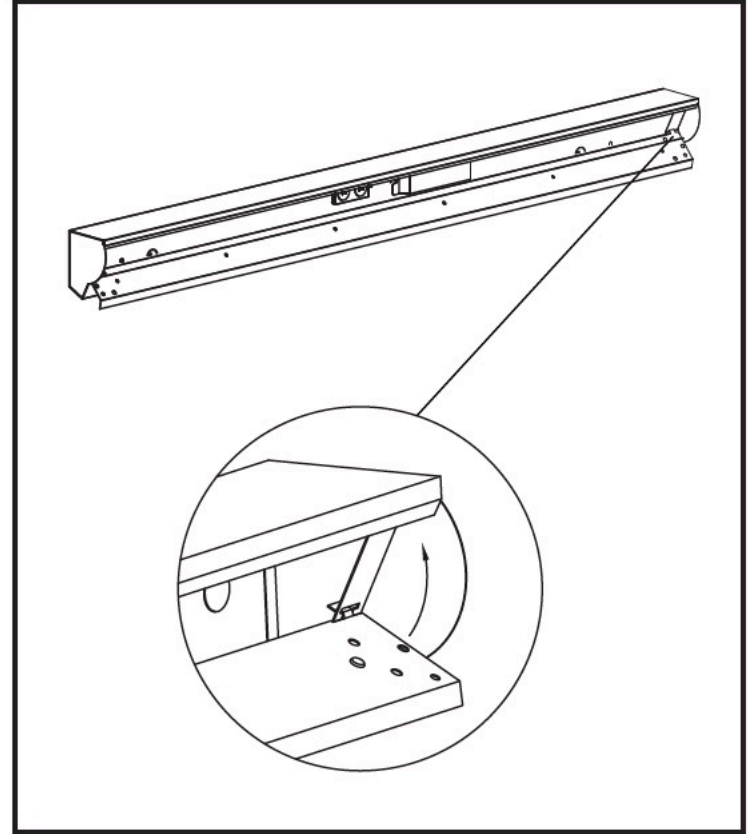


4. Install anchoring bolt. Drill four holes in the corresponding position on the wall according to the positioning plate provided by the manufacturer. Insert an anchoring bolt into each hole.

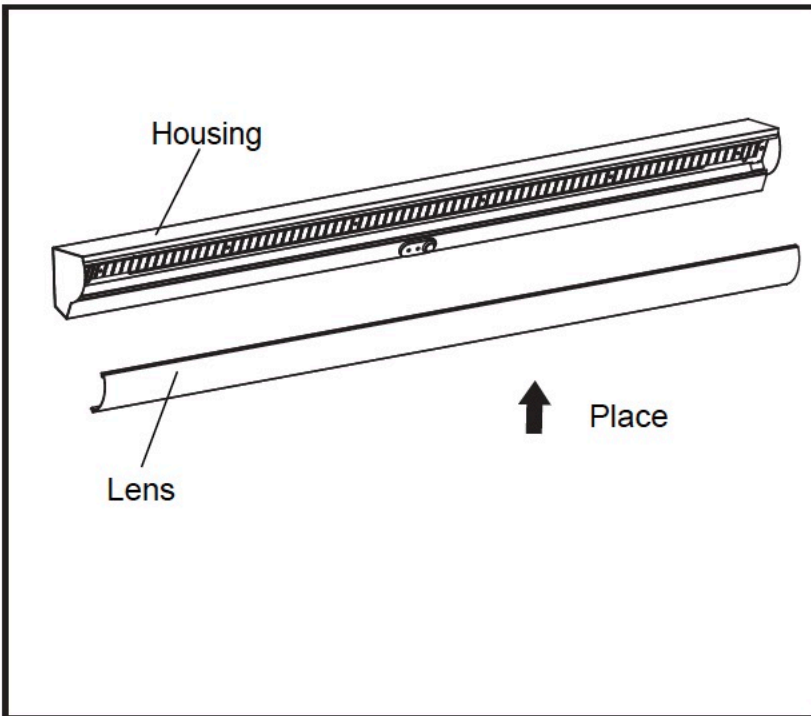
# INSTALLATION INSTRUCTION



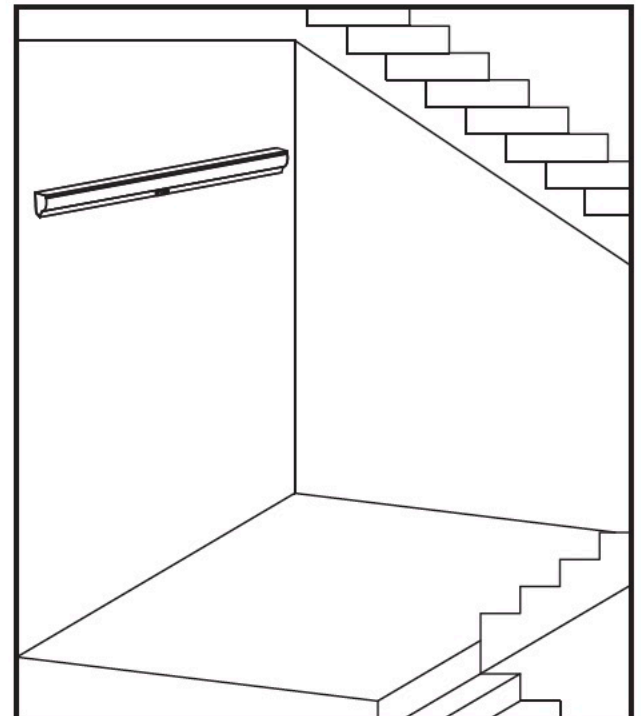
5. Connect the AC wires. Then screw the four mounting screws into each anchoring bolt.



6. Push the module board to its original position and fix the module board to the bracket.



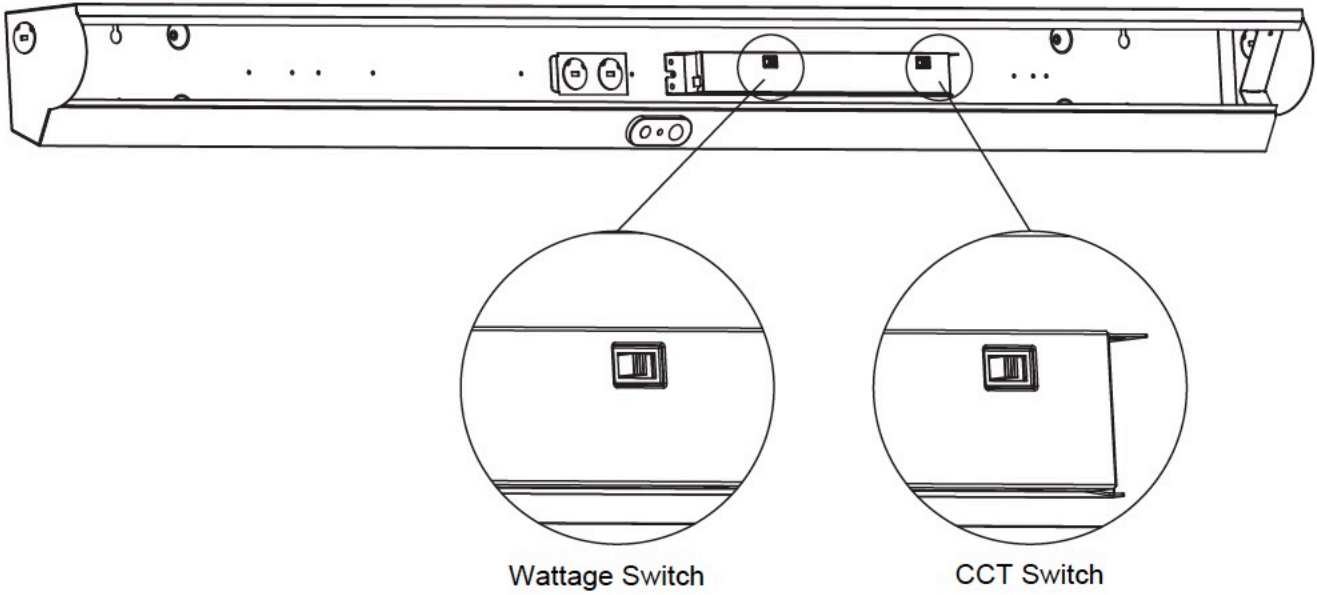
7. Install the lens.



8. The installation is complete.

# INSTALLATION INSTRUCTION

## Field-Adjustable Wattage & CCT



The end users may adjust the color temperature and lumen output respectively by the two DIP switch. Each DIP switch is accommodated with 3 options (left, middle and right), corresponding to 3 color temperatures and 3 powers respectively, which can perform the desired color temperature and lumen output combination.

Factory Setting: 55W,5000K

1. DIP switches are located on the driver.

2. Select a wattage and color temperature by sliding switch left or right respectively to the desired value.

## WARRANTY

This product is warranted for 5 years from the date of purchase. If this product does not perform to the specifications supplied on this package, send an email to us for product return and replacement. This replacement is the sole remedy available. Liability for incidental or consequential damage is expressly excluded.