

# MLS-CBSL-5W-RGBW

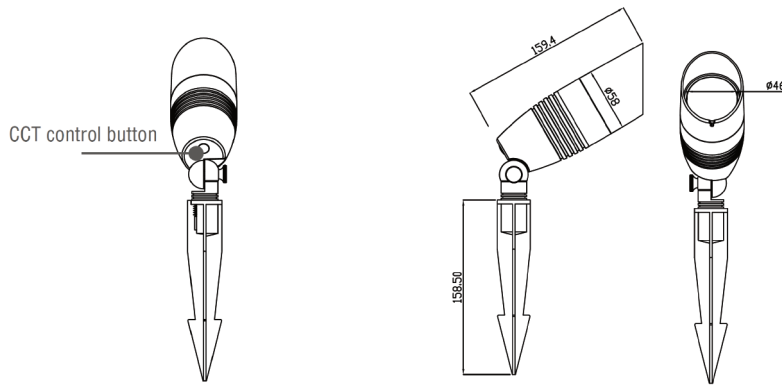
## 3CCT + RGB Bullet Spot Light

Project Name:	Order Number:	Prepare by:	Note:	Date:	Type:

This LED landscape lighting is a perfect choice for outdoor spaces such as gardens and parks. Equipped with 9 LED chips and an upgraded lens, it provides bright, glare-free illumination. With a high CRI of 90+, it enhances the natural colors of its surroundings. Constructed from rugged aluminum, it offers excellent corrosion resistance and heat dissipation. Its IP65 rating ensures outstanding waterproof performance, making it ideal for wet outdoor environments and resistant to heavy rain. Designed for longevity, it features a 40,000-hour lifespan and is backed by a 5-year warranty. Operating on a 12-24V voltage range, these landscape spotlights can be interconnected with multiple units or other lawn lamps to accommodate various lighting needs.



### DIMENSION



### TECHNICAL SUMMARY

MODEL NO.	WATTS	LUMENS	CCT	VOLTAGE	DIMMING	CRI	CERTIFICATION
MLS-CBSL-7W-5CCT	7W	550LM	27/30/35/40/50K	12-24V	N/A	N/A	ETL
MLS-CBSL-5W-RGBW	5W	300LM	27/30/40K	12-24V	N/A	N/A	ETL

### PART NUMBER ORDERING SUMMARY

## MLS-CBSL-5W-RGBW

**Landscape**  
MW Lighting

**COB Bullet Spot Light**  
Spot Light

**5W**  
Wattage

**RGBW 27/30/40K**  
Selectable CCT



# MLS-CBSL-5W-RGBW



## 3CCT + RGB Bullet Spot Light

Project Name:	Order Number:	Prepare by:	Note:	Date:	Type:

### CONSTRUCTION

- Unit includes heavy duty metal frame, LED array, heat sink, hanger, security cable and high quality LED tube.

### MOUNTING

- Above Ceiling
- Ceiling Joists & drop ceiling installations

### WARRANTY

5 years manufacturer warranty, consult [www.mwledlighting.com](http://www.mwledlighting.com) for more details.

\* Terms and conditions may apply.

### HIGHLIGHT



#### High-Quality Illumination

Equipped with 9 LED chips and an upgraded lens, the lighting provides bright, glare-free illumination with a high CRI of 90+ to enhance natural colors.

#### Durable and Weather-Resistant

Made from rugged aluminum with excellent corrosion resistance and heat dissipation, it has an IP65 rating, ensuring waterproof performance and resistance to heavy rain.