

MRFM Series



Round Slim Surface Mount Black

Project Name:	Order Number:	Prepare by:	Note:	Date:	Type:

DESCRIPTION

Recessed lighting and bigger flush mounts are commonly being replaced by these edge-lit flush mounts in order to maintain ceiling height. The wide illumination is ideal for lighting corridors and other small areas, and it mounts over junction boxes of conventional size. Smaller sizes are also treated with a moist location for outdoor use, and they come in a variety of sizes.



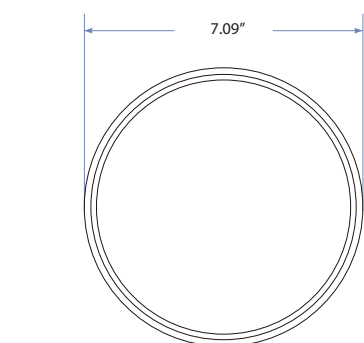
- Select color temperature from
- 2700K WARM WHITE
 - 3000K SOFT WHITE
 - 3500K NATURAL WHITE
 - 4000K COOL WHITE
 - 5000K DAYLIGHT



Product Information

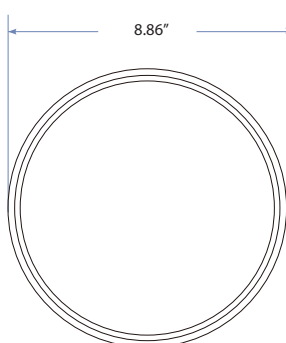
Model No.	Product Name	Color	Watts	Lumens	CRI	VOLTAGE	DIMMING	CCT	LIFE	OPERATING TEMP.
MRFM714-5CCT-BK	7" round slim Surface mount Black	Black	14W	840LM	80+	120V	TRIAC	5CCT	>50,000hrs	-4°F ~ 104°F
MRFM920-5CCT-BK	9" round slim Surface mount Black	Black	20W	1200LM	80+	120V	TRIAC	5CCT	>50,000hrs	-4°F ~ 104°F
MRFM1225-5CCT-BK	12" round slim Surface mount Black	Black	25W	1700ML	80+	120V	TRIAC	5CCT	>50,000hrs	-4°F ~ 104°F

DIMENSIONS



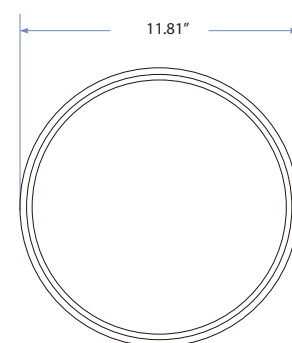
0.6"

MRFM714-5CCT-BK



0.6"

MRFM920-5CCT-BK



0.6"

MRFM1225-5CCT-BK

M **R** **FM** **7** **14** **5CCT** **BK**

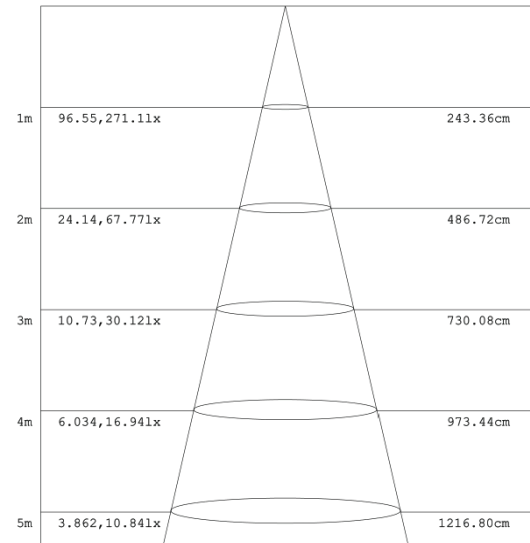
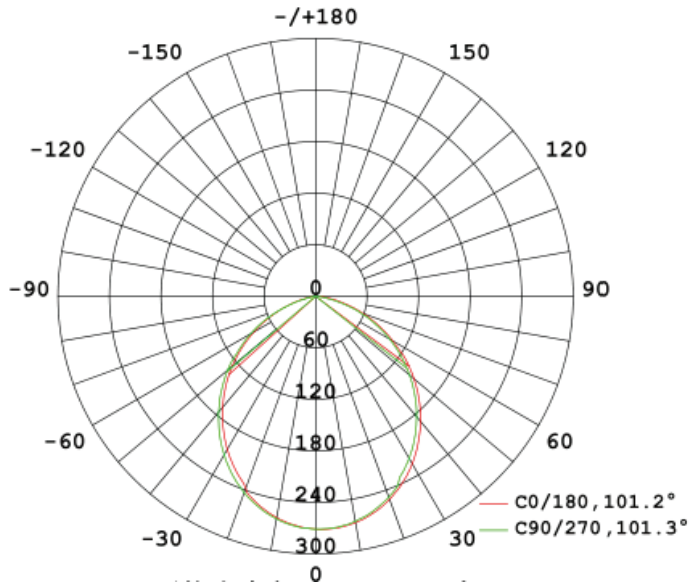
MW Light ROUND Shape FLUSH MOUNT Mount 7/9/12INCH Size 11/14/20/25W Wattage 5CCT 27K/30K/35K/40K/50K Black Color

MRFM Series

Round Slim Surface Mount Black

Project Name:	Order Number:	Prepare by:	Note:	Date:	Type:

PHOTOMETRY



TECHNICAL SUMMARY

CONSTRUCTION

Unit includes metal housing, LED array, heat sink lens, with white plastic trim cover.

OPTICS

- High quality PC lens
- Efficiency LED array
- Diffuse for uniform illumination

DRIVER

- High efficiency integral 120V 60Hz constant current dimmable driver.
- Smooth flicker free deep dimming to 10%

MOUNTING

- Surface mount on junction box.
- Surface mounting bracket included.

LISTING

ETL Listed, Energy Star Listed, Suitable for Wet Locations, Title 24 JA8-2022, RoHS, Air-Tite Certified

WARRANTY

5 years manufacturer warranty, consult factory for more details. Terms and conditions may apply.

RECOMMENDED DIMMERS

LUTRON

- TGCL-153PH-WH
- DVCL-153PR
- P-PKG1W-WH-R
- CTCL-153PDH-WH

LEVITON

- R00-RNL06-TW
- R50-IPL06-10M

MRFM Series

Round Slim Surface Mount Black

Project Name:	Order Number:	Prepare by:	Note:	Date:	Type:

FEATURES



EXPLOSIVE VIEW

