

# MRFMMS Series

## Surface Mount with Sensor



Project Name:	Order Number:	Prepare by:	Note:	Date:	Type:

### DESCRIPTION



Recessed lighting and bigger flush mounts are commonly being replaced by these edge-lit flush mounts in order to maintain ceiling height. The wide illumination is ideal for lighting corridors and other small areas, and it mounts over junction boxes of conventional size. Smaller sizes are also treated with a moist location for outdoor use, and they come in a variety of sizes.



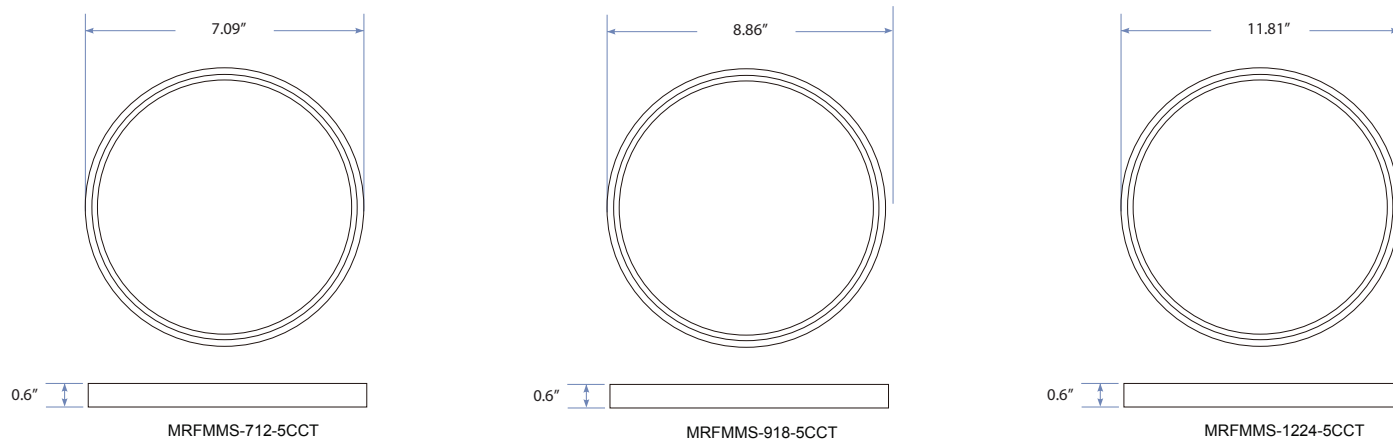
- Select color temperature from
- 2700K WARM WHITE
  - 3000K SOFT WHITE
  - 3500K NATURAL WHITE
  - 4000K COOL WHITE
  - 5000K DAYLIGHT



### Product Information

Model No.	Product Name	Certification	Watts	Lumens	CRI	VOLTAGE	DIMMING	CCT	LIFE	OPERATING TEMP.
MRFMMS-712-5CCT	7" Surface mount with Sensor	ETL/T24	12W	960LM	80+	120V	TRIAC	5CCT	>50,000hrs	-4°F ~ 104°F
MRFMMS-918-5CCT	9" Surface mount with Sensor	ETL/T24	18W	1440LM	80+	120V	TRIAC	5CCT	>50,000hrs	-4°F ~ 104°F
MRFMMS-1224-5CCT	12" Surface mount with Sensor	ETL/T24	24W	1680LM	80+	120V	TRIAC	5CCT	>50,000hrs	-4°F ~ 104°F

### DIMENSIONS



**MRFMMS 7 12 5CCT**

Surface Mount with Sensor  
MW Lighting

7/9/12 INCH  
Size

12/18/24 W  
Wattage

5 CCT  
27K/30K/35K/40K/50K



# MRFMMS Series



## Surface Mount with Sensor

Project Name:	Order Number:	Prepare by:	Note:	Date:	Type:

### CONSTRUCTION

Unit includes metal housing , LED array, heat sink lens, with white plastic trim cover.

### OPTICS

- High quality PC lens
- Efficiency LED array
- Diffuse for uniform illumination

### DRIVER

- High efficiency integral 120V 60Hz constant current dimmable driver.
- Smooth flicker free deep dimming to 10%

### MOUNTING

- Surface mount on junction box.
- Surface mounting bracket included.

### LISTING

ETL Listed, T24 Listed, Suitable for Wet Locations,

### WARRANTY

5 years manufacturer warranty, consult factory for more details. Terms and conditions may apply.

### RECOMMENDED DIMMERS

#### LUTRON

- TGCL-153PH-WH
- DVCL-153PR
- P-PKG1W-WH-R
- CTCL-153PDH-WH

#### LEVITON

- R00-RNL06-TW
- R50-IPL06-10M

\*5 years limited LED luminaire warranty to the original purchaser that the luminaire shall be free from defects in materials and workmanship from date of shipment, when under properly installed at normal conditions of use. The warranty may not cover physical damage or abuse under certain conditions.