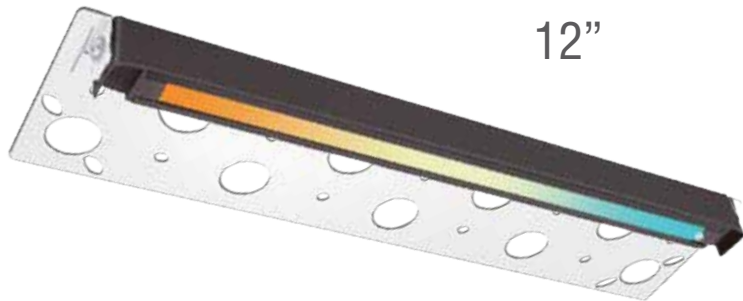


LED Hardscape Paver Light

C-FOX-BL04

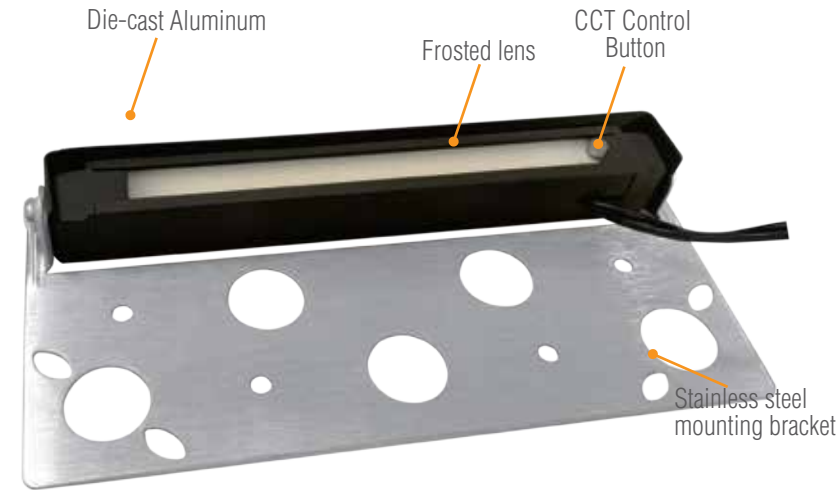


High Feature

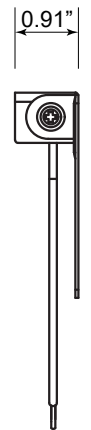
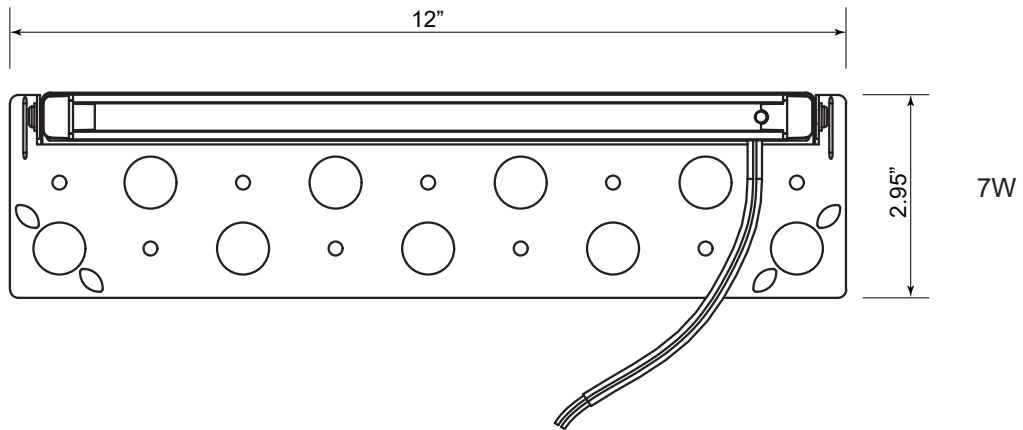
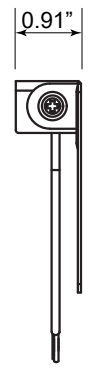
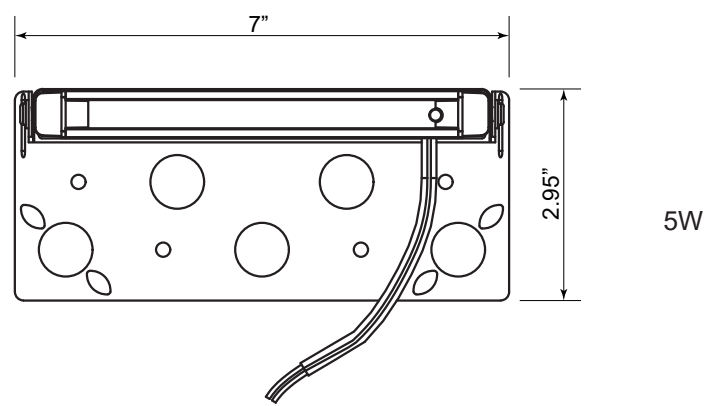
- Die-cast Aluminum Housing
- Epoxy powder paint Bronze(ORB)finish
- Stainless steel mounting bracket
- Frosted lens available
- RGBW (2700K 3000K 4000K +RGB)
- Select color temperature with key switch
- Easy Installation
- Save energy

Optical/Electrical Data

Model No	MHSL
Wattage	5W/7W
Voltage	12-24/AC/DC
LED Type	SMD2835
Lumens	200LM/280LM
Color Temp	RGBW (2700K 3000K 4000K +RGB)
CRI	>90Ra
Lifespan	50.000hrs
Working temp	-4°F-104°F
Beam Angle	120°
Body Material	Aluminum
Lens Material	PC
Cable Material	Copper
Wet Location	IP65



Dimensions

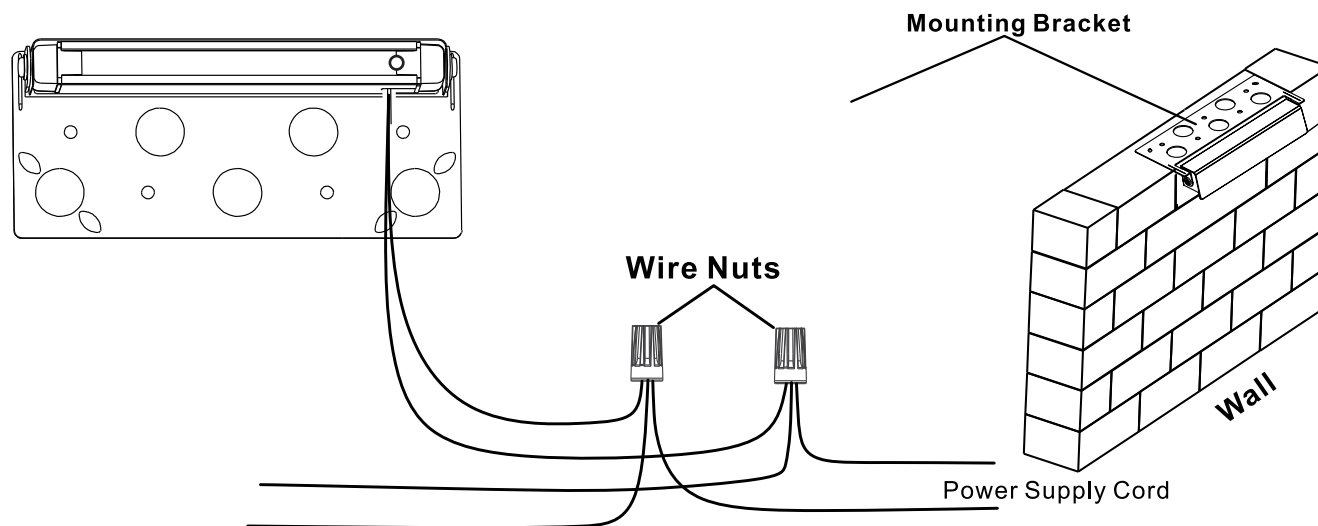


Installation Instruction

FIXTURE MOUNTING INSTRUCTIONS (MASONRY OR HARDSCAPES)

- 1) Disconnect the transformer from the main power supply.
- 2) Place the stainless steel mounting bracket between layers of hardscape material.
- 3) Route the fixture wire to the main supply cable leads following standard masonry procedures.
- 4) Strip the two fixture wires.
- 5) Attach the two fixture wires to the two main supply cable leads using waterproof connectors.
- 6) Reconnect the transformer to the primary power supply.

Note: It is recommended that installers leave additional wire behind the wall that would allow for the fixture to be removed.



Garden/Courtyard/Pathway/Paver/Hardscape/Wood deck/Retaining wall

