

# INSTALLATION INSTRUCTIONS

## LED WALL SCONCE

120VAC/60Hz Input

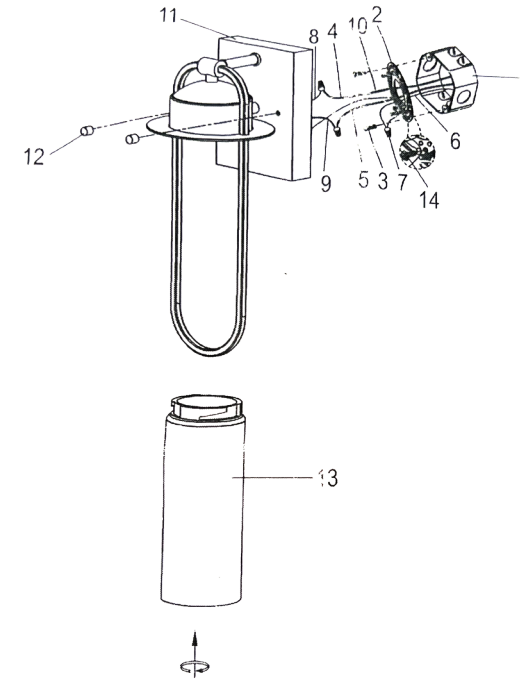
### READ AND FOLLOW SAFETY INFORMATION

**CAUTION** – Turn off the main power at the circuit breaker before installing and servicing the fixture to prevent possible injury from electrical shock.

All electrical connections must be in accordance with local and National Electrical Code (N.E.C.) standards. If you are unfamiliar with proper electrical wiring connections, obtain the services of a qualified electrician.

### INSTALLATION & ASSEMBLY

1. Pull the power supply wires out from the outlet box (1). Attach the mounting bracket (2) to the outlet box using two mounting screws (3).
2. Connect the power supply wires to the fixture lead wires by connecting the black fixture wire (9) to the black supply wire (5), and the white fixture wire (8) to the white supply wire (4) using wire nut (7). Partially thread green grounding screw (14) into side hole on mounting bracket (2). Connect the fixture ground wire (10) to the supply ground wire (6) by fixed on the mounting bracket (2). Tighten green grounding screw (14). Do not over tighten.
3. Carefully tuck all wiring back into the outlet box (1). Making sure that the fixture screw can be threaded through the fixture base (11). Secure the fixture base (11) into place using the two provided decorative nuts (12) and tighten until secure.
4. Final assembly – Rotate glass shade (N) to the socket cup until tighten.



- |                         |                           |
|-------------------------|---------------------------|
| 1. OUTLET BOX(EXCLUDED) | 8. WHITE FIXTURE WIRE     |
| 2. MOUNTING BRACKET     | 9. BLACK FIXTURE WIRE     |
| 3. MOUNTING SCREW       | 10. FIXTURE GROUND WIRE   |
| 4. WHITE SUPPLY WIRE    | 11. FIXTURE BASE          |
| 5. BLACK SUPPLY WIRE    | 12. DECORATIVE NUT        |
| 6. SUPPLY GROUND WIRE   | 13. GLASS SHADE           |
| 7. WIRE NUT             | 14. GREEN GROUNDING SCREW |