

INSTALLATION INSTRUCTIONS

LED WALL SCONCE

120VAC/60Hz Input

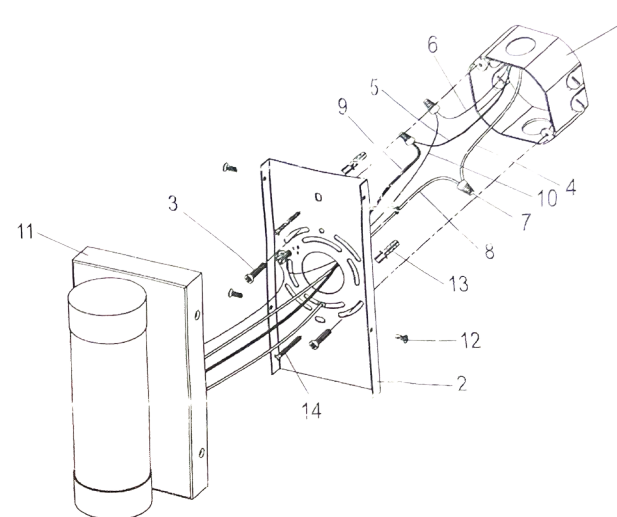
READ AND FOLLOW SAFETY INFORMATION

CAUTION – Turn off the main power at the circuit breaker before installing and servicing the fixture to prevent possible injury from electrical shock.

All electrical connections must be in accordance with local and National Electrical Code (N.E.C.) standards. If you are unfamiliar with proper electrical wiring connections, obtain the services of a qualified electrician.

INSTALLATION & ASSEMBLY

1. Pull the power supply wires out from the outlet box (1). Make two holes location on the wall that align with the holes on the mounting bracket (2). Drill two holes with 5/16" size drill bit at the marked locations. Insert drywall anchor (13) into each drilled mounting hole.
2. Attach the mounting bracket (2) to the outlet box with two mounting screws (3). Attach the mounting bracket (2) to the drywall anchor (13) using two drywall anchor screws (14).
3. Connect the power supply wires to the fixture lead wires by connecting the black fixture wire (9) to the black supply wire (5), and the white fixture wire (8) to the white supply wire (4) using wire nut (7). Connect the fixture ground wire (10) to the supply ground wire (6) by fixed on the mounting bracket (2). Carefully tuck all wiring back into the outlet box (1).
4. Final assembly - Align the fixture base (11) over the outlet box (1) and mount against the wall. Secure in place with four screws (12).
5. Installation complete, restore power at the circuit breaker and turn light switch on to activate this fixture.



- | | |
|-------------------------|--------------------------|
| 1. OUTLET BOX(EXCLUDED) | 8. WHITE FIXTURE WIRE |
| 2. MOUNTING BRACKET | 9. BLACK FIXTURE WIRE |
| 3. MOUNTING SCREW | 10. FIXTURE GROUND WIRE |
| 4. WHITE SUPPLY WIRE | 11. FIXTURE BASE |
| 5. BLACK SUPPLY WIRE | 12. SCREW |
| 6. SUPPLY GROUND WIRE | 13. DRYWALL ANCHOR |
| 7. WIRE NUT | 14. DRYWALL ANCHOR SCREW |