

INSTALLATION INSTRUCTIONS

LED WALL SCONCE

120VAC/60Hz Input

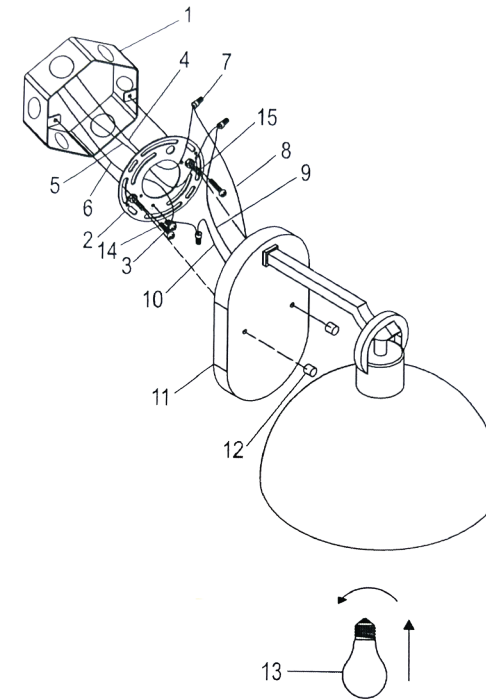
READ AND FOLLOW SAFETY INFORMATION

CAUTION – Turn off the main power at the circuit breaker before installing and servicing the fixture to prevent possible injury from electrical shock.

All electrical connections must be in accordance with local and National Electrical Code (N.E.C.) standards. If you are unfamiliar with proper electrical wiring connections, obtain the services of a qualified electrician.

INSTALLATION & ASSEMBLY

1. Pull the supply wires(4 & 5) and the supply ground wire(6) out from the outlet box(1) and attach the mounting bracket(2) to the outlet using the slotted holes on the mounting bracket(2) and the mounting screws (3) provided. Thread the fixture screws(15) into the appropriate threaded of the mounting bracket(2).
2. Connect the power supply wires to the fixture lead wires by connecting the black fixture wire (9) to the black supply wire (5), and the white fixture wire (8) to the white supply wire (4) using wire nut (7). Partially thread green grounding screw (14) into side hole on mounting bracket (2). Connect the fixture ground wire (10) to the supply ground wire (6) by fixed on the mounting bracket (2). Tighten green grounding screw (14). Do not over tighten.
3. Carefully tuck all wiring back into the outlet box. Align the fixture base(11) over the outlet box(1). Making sure that the fixture screw(15) can be threaded through the fixture base(11). Secure the fixture base(11) into place using the two provided decorative nuts(12) and tighten until secure.
4. Final assembly - Install light bulb(13) in accordance with the fixture's specifications. Do not exceed the maximum recommended wattage.
5. Installation complete, restore power at the circuit breaker and turn light switch on to activate this fixture.



- | | |
|-------------------------|---------------------------|
| 1. OUTLET BOX(EXCLUDED) | 9. BLACK FIXTURE WIRE |
| 2. MOUNTING BRACKET | 10. FIXTURE GROUND WIRE |
| 3. MOUNTING SCREW | 11. FIXTURE BASE |
| 4. WHITE SUPPLY WIRE | 12. DECORATIVE NUT |
| 5. BLACK SUPPLY WIRE | 13. BULB (NOT INCLUDED) |
| 6. SUPPLY GROUND WIRE | 14. GREEN GROUNDING SCREW |
| 7. WIRE NUT | 15. FIXTURE SCREW |
| 8. WHITE FIXTURE WIRE | |