

## INSTALLATION INSTRUCTIONS

### LED WALL SCONCE

120VAC/60Hz Input

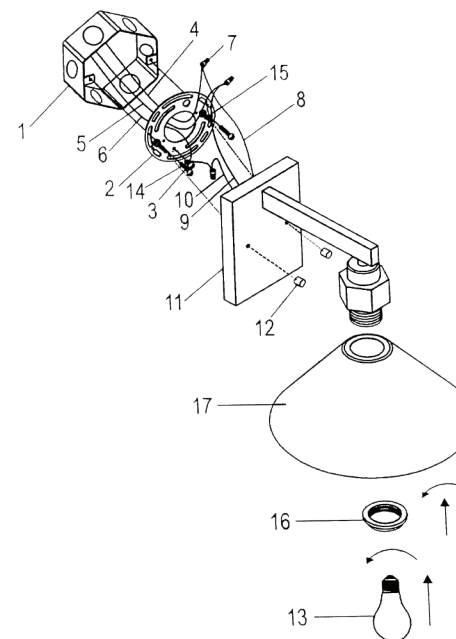
### READ AND FOLLOW SAFETY INFORMATION

**CAUTION** – Turn off the main power at the circuit breaker before installing and servicing the fixture to prevent possible injury from electrical shock.

All electrical connections must be in accordance with local and National Electrical Code (N.E.C.) standards. If you are unfamiliar with proper electrical wiring connections, obtain the services of a qualified electrician.

### INSTALLATION & ASSEMBLY

1. Pull the supply wires(4 & 5) and the supply ground wire(6) out from the outlet box(1) and attach the mounting bracket(2) to the outlet using the slotted holes on the mounting bracket(2) and the mounting screws (3) provided. Thread the fixture screws(15) into the appropriate threaded of the mounting bracket(2).
2. Connect the power supply wires to the fixture lead wires by connecting the black fixture wire(9) to the black supply wire(5), and the white fixture wire(8) to the white supply wire(4) using wire nut(7). Partially thread green grounding screw(14) into side hole on mounting bracket(2). Connect the fixture ground wire(10) to the supply ground wire(6) by fixed on the mounting bracket(2). Tighten green grounding screw(14). Do not over tighten.
3. Carefully tuck all wiring back into the outlet box. Align the fixture base(11) over the outlet box(1). Making sure that the fixture screw(15) can be threaded through the fixture base(11). Secure the fixture base(11) into place using the two provided decorative nuts(12) and tighten until secure.
4. Final assembly - Attach the shade(17) over socket cup, secure the shade (17) to socket cup by threading the retaining ring (16). Install light bulb(13) in accordance with the fixture's specifications. Do not exceed the maximum recommended wattage.
5. Installation complete, restore power at the circuit breaker and turn light switch on to activate this fixture.



- |                         |                           |
|-------------------------|---------------------------|
| 1. OUTLET BOX(EXCLUDED) | 10. FIXTURE GROUND WIRE   |
| 2. MOUNTING BRACKET     | 11. FIXTURE BASE          |
| 3. MOUNTING SCREW       | 12. DECORATIVE NUT        |
| 4. WHITE SUPPLY WIRE    | 13. BULB (NOT INCLUDED)   |
| 5. BLACK SUPPLY WIRE    | 14. GREEN FROUNDING SCREW |
| 6. SUPPLY GROUND WIRE   | 15. FIXTURE SCREW         |
| 7. WIRE NUT             | 16. RETAINING RING        |
| 8. WHITE FIXTURE WIRE   | 17. SHADE                 |
| 9. BLACK FIXTURE WIRE   |                           |