

INSTALLATION INSTRUCTIONS

LED WALL SCONCE

120VAC/60Hz Input

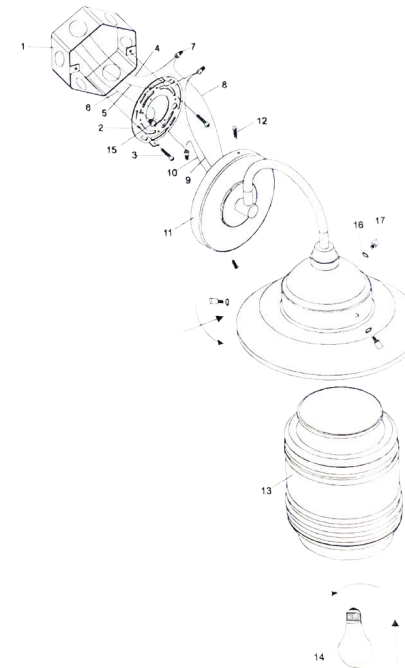
READ AND FOLLOW SAFETY INFORMATION

CAUTION – Turn off the main power at the circuit breaker before installing and servicing the fixture to prevent possible injury from electrical shock.

All electrical connections must be in accordance with local and National Electrical Code (N.E.C.) standards. If you are unfamiliar with proper electrical wiring connections, obtain the services of a qualified electrician.

INSTALLATION & ASSEMBLY

1. Pull the supply wires(4 & 5) and the supply ground wire(6) out from the outlet box(1) and attach the mounting bracket(2) to the outlet using the slotted holes on the mounting bracket(2) and the mounting screws(3) provided.
2. Connect the power supply wires to the fixture lead wires by connecting the black fixture wire(9) to the black supply wire(5), and the white fixture wire(8) to the white supply wire(4) using wire nut(7). Partially thread green grounding screw(15) into side hole on mounting bracket(2). Connect the fixture ground wire(10) to the supply ground wire(6) by fixed on the mounting bracket(2). Tighten green grounding screw(15). Do not over tighten.
3. Carefully tuck all wiring back into the outlet box. Align the fixture base(11) over the outlet box(1) and mount the wall. Secure in place with two screws (L).
4. Final assembly - Attach the shade(13) over socket cup, secure the shade (17) to socket cup by tighten with retaining ring(16) and screw 2(17). Install light bulb(14) in accordance with the fixture's specifications. Do not exceed the maximum recommended wattage.
5. Installation complete, restore power at the circuit breaker and turn light switch on to activate this fixture.



- | | |
|-------------------------|---------------------------|
| 1. OUTLET BOX(EXCLUDED) | 10. FIXTURE GROUND WIRE |
| 2. MOUNTING BRACKET | 11. FIXTURE BASE |
| 3. MOUNTING SCREW | 12. SCREW |
| 4. WHITE SUPPLY WIRE | 13. SHADE |
| 5. BLACK SUPPLY WIRE | 14. BULB(NOT INCLUDED) |
| 6. SUPPLY GROUND WIRE | 15. GREEN GROUNDING SCREW |
| 7. WIRE NUT | 16. RUBBER GASKET |
| 8. WHITE FIXTURE WIRE | 17. SCREW 2 |
| 9. BLACK FIXTURE WIRE | |