

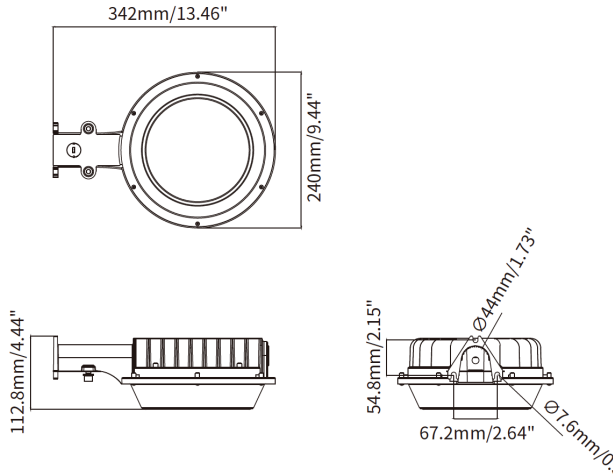
## 3 CCT & WATTAGE SELECTABLE GOOSENECK BARN LIGHT

Project Name:	Order Number:	Prepare by:	Note:	Date:	Type:

The barn lighting fixtures are designed for various applications, including farms, barns, storage sheds, entryways, pathways, industrial yards, security lighting, building perimeters, and area lighting. They feature selectable wattage and color temperature, with models offering adjustable power levels of 48W, 64W, and 80W or 72W, 96W, and 120W, along with tunable CCT options of 3000K, 4000K, and 5000K. Delivering high lumen output, the MBN-48/64/80W-3CCT model provides 6000 to 10,000 lumens, while the MBN-72/96/120W-3CCT model delivers 9000 to 15,000 lumens. Designed for both wall and pole mounting, they are UL listed for safety and reliability.



### DIMENSION



80&120W

### TECHNICAL SUMMARY

MODEL NO.	WATTAGE	LUMENS	CCT	VOLTAGE	DIMMING	CRI	CERTIFICATION
MBN-48 /64/80W-3CCT	48/64/80W	6000/8000/10000LM	30/40/50K	120-277V	N/A	80+	UL
MBN-72/96/120W-3CCT	72/96/120W	9000/12000/15000LM					

### PART NUMBER ORDERING SUMMARY

# MBN-72/96/120W-3CCT

**Barn Lighting**  
MW Lighting

**72/96/120W**  
Wattage

**30/40/50K**  
Selectable CCT



## 3 CCT & WATTAGE SELECTABLE GOOSENECK BARN LIGHT

Project Name:	Order Number:	Prepare by:	Note:	Date:	Type:

### CONSTRUCTION

- Unit includes heavy duty metal frame

### OPTICS

- Diffuse for uniform illumination.
- CRI 80

### DRIVER

- 120 - 277V 60Hz universal input voltage
- 0 - 10v smooth flicker free dimming down to 5%

### MOUNTING

Mount to the wall, pole, etc.

### LISTING

- UL 8750 LED equipment in Lighting Products

### WARRANTY

5 years manufacturer warranty, consult [www.mwledlighting.com](http://www.mwledlighting.com) for more details.

\* Terms and conditions may apply.

\*5 years limited LED luminaire warranty to the original purchaser that the luminaire shall be free from defects in materials and workmanship from date of shipment, when under properly installed at normal conditions of use. The warranty may not cover physical damage or abuse under certain conditions.

### HIGHLIGHT



#### Wide Applications

Ideal for farms, barns, storage sheds, entryways, pathways, industrial yards, security, and building perimeters.

#### High Lumen Output

Delivers 6000-10,000 lumens (MBN-48/64/80W-3CCT) and 9000-15,000 lumens (MBN-72/96/120W-3CCT).