

# MFR4-RH/MFR6-RH

## 4"/6" Fire Resistant Recessed Housing Can

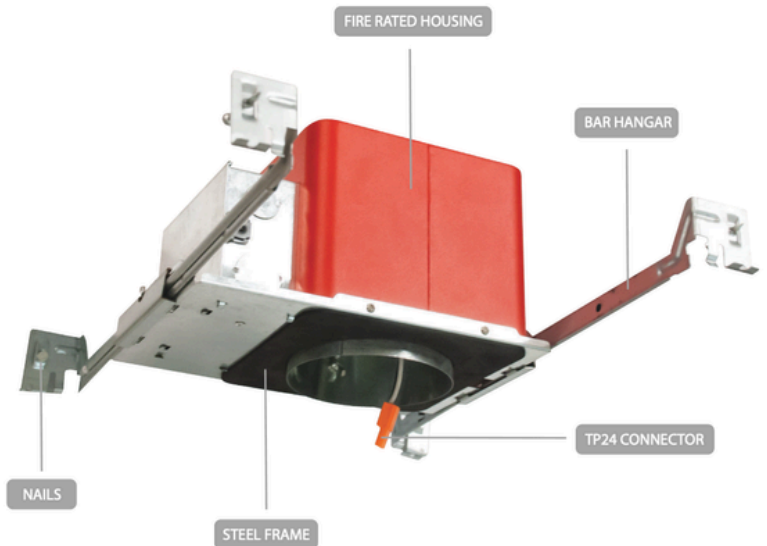
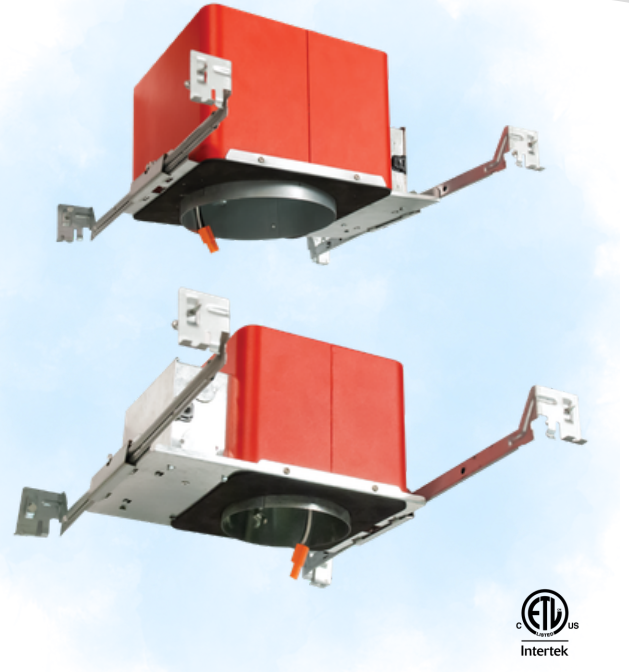


### 4"/6" Fire Resistant Recessed Housing Can

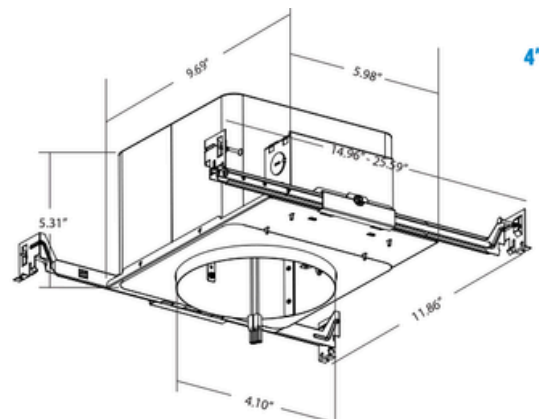
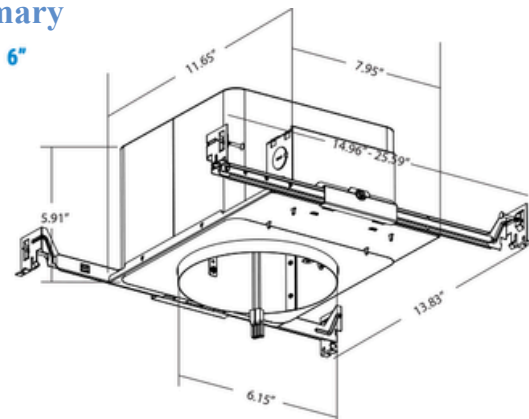
Engineered for safety and reliability, the MFR4-RH / MFR6-RH Fire Resistant Recessed Housing Can is designed for residential and commercial recessed lighting applications requiring enhanced fire protection. Featuring a 2-hour fire-rated housing certified to UL standards, these recessed housings help maintain ceiling fire integrity while providing dependable lighting installation performance. Ideal for new construction projects, the series combines safety, durability, and installation flexibility for modern recessed lighting systems.

### Key Features — Fire Resistant Recessed Housing Can

- 2-hour fire-rated recessed housing
- Available in 4" and 6" sizes
- Designed for recessed lighting fixtures
- Suitable for wet locations
- Air-Tite certified construction
- Adjustable bracket design for flexible installation
- Junction box with multiple knockouts and Romex pry-outs
- ETL Listed and RoHS compliant
- Ideal for residential and commercial applications



### Technical Summary





**MWLIGHTING**

# MFR4-RH/MFR6-RH

## 4"/6" Fire Resistant Recessed Housing Can

Project Name:	
Prepare By:	
Date:	
Contact/Phone:	

### Construction

- Includes airtight gasket for enhanced sealing performance
- Integrated wiring box for electrical connections
- Includes hanger bar with nails for secure installation
- 4" vertically adjustable bottom ring included
- Adapter ring compatible with recessed mount fixtures
- Durable construction for long-term reliability

### Fire Rated

- Complies with UL1598 and UL263 / ASTM E119 standards
- Tested and certified for 2-hour fire resistance
- ETL Certified fire-rated housing
- Designed to maintain ceiling fire integrity

### Mounting

- Ceiling mount design for new construction applications
- Junction box includes:
  - Three 1-1/8" knockouts
  - Three 7/8" knockouts
  - Four Romex pry-outs with strain relief
- Secure mounting structure for recessed fixture installations

### Compliance & Certification

- ETL Listed
- Suitable for Wet Locations
- RoHS Compliant
- Air-Tite Certified