

MCNP Canopy Series

3CCT & Wattage Selectable LED Garage & Canopy Light



Canopy

This new-generation **MCNP LED canopy** light features **3CCT and field-selectable wattage**, delivering maximum flexibility for commercial and outdoor applications. Designed for easy installation under canopies or on ceilings, it's ideal for **gas stations, parking garages, loading docks, retail entrances, and walkways.**

Available in two finishes: brown and white.

Key Features – Canopy

- Field-selectable wattage: 60W / 70W / 80W
- High CRI: 80+ for accurate color rendering
- Durable design for indoor/outdoor canopy and ceiling applications
- Available in two finishes: brown and white
- Long lifespan and energy-efficient LED technology



Canopy (White)



Canopy (Brown)

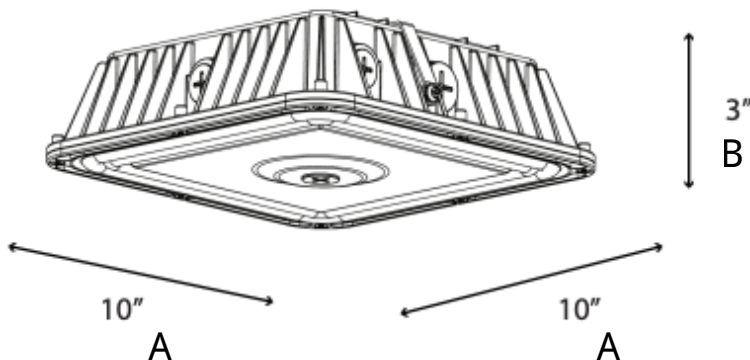


Wattage and Color Selectable

	Canopy
Color Temp.	30K/40K/50K
Wattage	60W/70W/80W
Lumens	8400LM/9800LM/11200LM
Voltage	120V-277V
Dimming	0-10V
CRI	80+



Dimension



Item Number	A(Diameter)	B(Hight)
MCNP-60/70/80W-3CCT	10"	3"

MCNP Canopy Series



3CCT & Wattage Selectable LED Garage & Canopy Light

Technical Summary

Item Number	Description	Wattage	Lumens	Color Temp.	Voltage	Dimming	CRI
MCNP-60/70/80W-3CCT	Canopy (White)	60W/70W/80W	8400LM/9800LM/11200LM	30K/40K/50K	120V-277V	0-10V	80+
MCNP-60/70/80W-3CCT-BR	Canopy (Brown)	60W/70W/80W	8400LM/9800LM/11200LM	30K/40K/50K	120V-277V	0-10V	80+

Construction

- Rugged die-cast aluminum housing for durability and heat dissipation
- Available in two finishes: brown and white
- Weather-resistant for canopy and outdoor ceiling installations

Optics

- Field-selectable color temperature: 3000K / 4000K / 5000K
- High lumen output: 8,400–11,200 lm
- CRI 80+ for accurate color rendering
- Uniform illumination with reduced glare for canopy and covered areas

Driver

- Field-selectable wattage: 60W / 70W / 80W
- Input voltage: 120–277V
- 0-10V dimmable for energy savings and flexible lighting control
- Efficient LED driver for long-lasting performance

Mount

- Surface mount design for canopies, parking garages, gas stations, loading docks, and walkways
- Easy installation with minimal tools
- Suitable for indoor/outdoor commercial applications

Accessories (SOLD SEPARATELY)

Photocell



MSB-PC (Photocell)

Motion Sensor



ANT-6-4T (Motion Sensor)

***Photocell and motion sensor are not used together.**



MWLIGHTING

MCNP Canopy Series

Photometry

Project Name:	
Prepare By:	
Date:	
Contact/Phone:	

Canopy

	Item Number	Description
	MCNP-60/70/80W-3CCT	Canopy (White)
	MCNP-60/70/80W-3CCT-BR	Canopy (Brown)

Accessories (SOLD SEPARATELY)

	Item Number	Description
	MSB-TR	Trunnion/Wall Mount
	MSB-PM	Square/ Round Pole Mount
	MSB-SF	Slip Fitter
	ANT-6-4T(Motion Sensor)	Motion Sensor
	MSB-PC	Photocell